

# AMPIRE®

# DHV 156-HD

German Engineering. Out of the ordinary.

---



## Owner's Manual

*English*



Before attempting to connect or operate this product, please read the instructions completely.

## Precautions

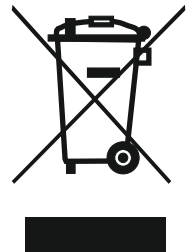
- Pay utmost attention if you install the monitor into the driver's compartment.
- Use only in cars with a 12 Volt negative ground.
- Before wiring, disconnect the cable from the negative battery terminal to avoid short circuits or electrical shocks. Make the correct connections.
- Do not damage pipe or wiring when drilling holes.
- Arrange the wiring so it is not crimped or pinched by a sharp metal edge.
- Do not install the monitor in locations which might hinder vehicle operations and do not install in locations with any moisture. Use the installation materials provided with the monitor.
- Do not use bolts or nuts in the brake, airbags or other safety relevant systems to make ground connections.
- Attention! This monitor is developed for motor vehicle use only.
- **WARNING: DO NOT WATCH MOVIES WHILE DRIVING TO AVOID DANGER!**

## Warranty

12 month warranty for commercial use and 24 month warranty for private use only. The location of buying (point of purchase) must be within the EU. The proof of warranty is the original cashiers receipt with date and type of item on it. The owners manual and installation instructions must be observed. No warranty of destruction by wrong installation, wrong operation, non regulated use, using of unsuitable accessories, electrical shocks, fire, moisture or smoke, damage by improper service and cleaning. Warranty repairs are free of charge. No refund of shipping costs or labour as well as subsequent damages. Complaints and repairs do not extend the warranty period.

## Environmental Reference

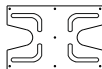
- Old electronic devices don't belong into the bin.
- If you want to dispose this equipment later, remove all cables and send it back to Ampire.
- You can dispose this device together with your old car, too. You don't have to remove it in this case.
- The packing can be recycled. Dispose the packing in a collecting system planned for it.



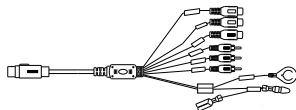
# Package Contents



- Monitor



- Metal Bracket



- Main Harness



- Dome Light Wire



- Screws



- Foam Stickers



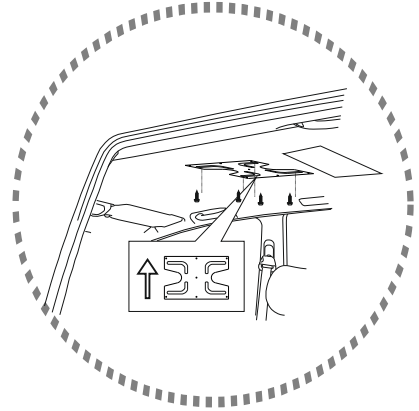
- Remote



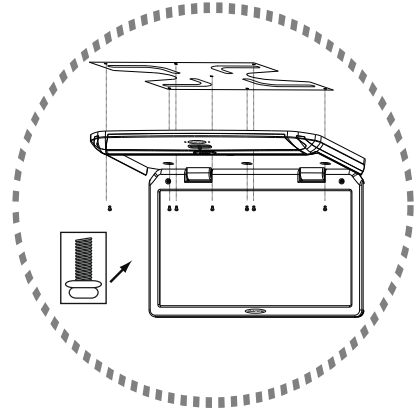
- Owner's Manual

# Installation

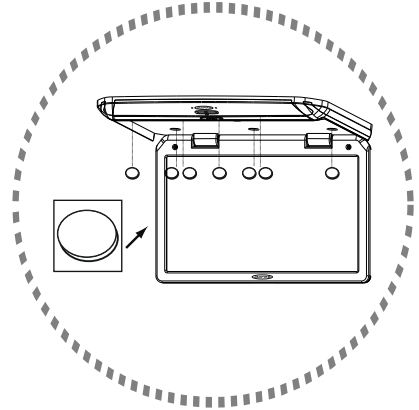
1. Fix the mounting bracket onto the headlining by using the screws coming with the monitor. Ensure that the mounting bracket is solid with the Headlining and no wires are damaged.



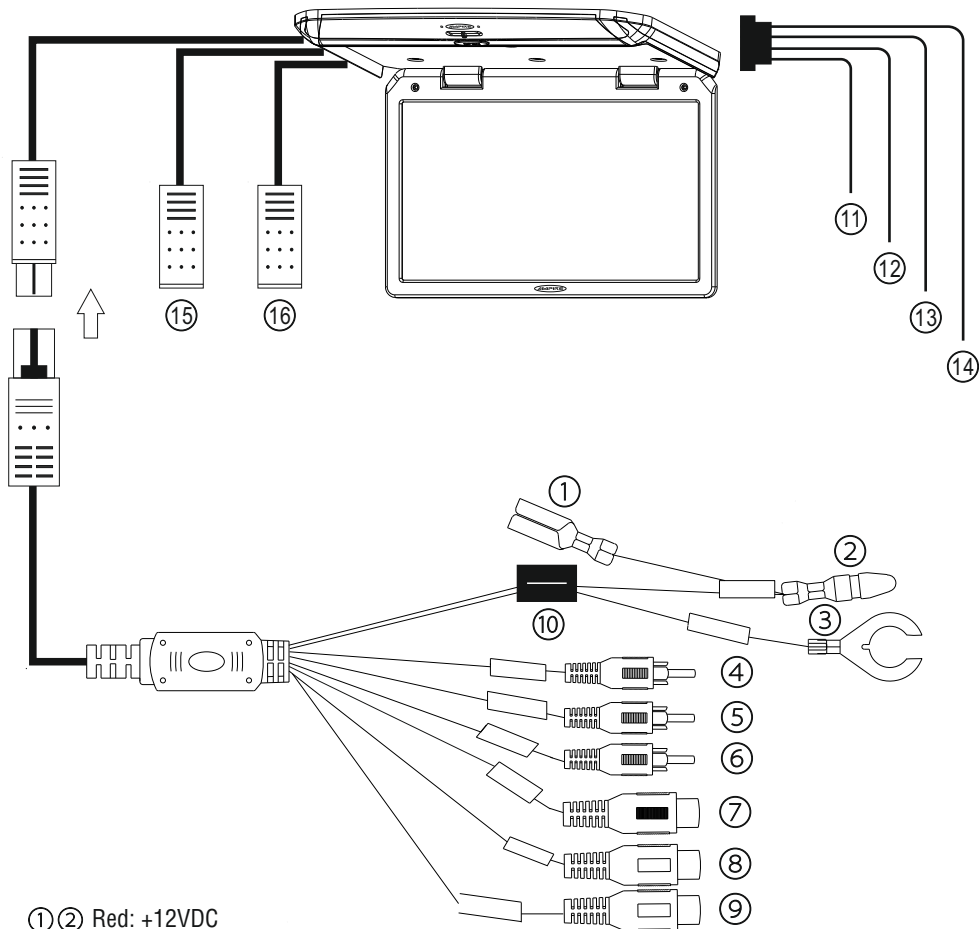
2. Run the power, USB and HDMI wire through the headlining and fix the monitor onto the mounting bracket by using the screws which are coming with the monitor.



3. Cover the screw holes by using the seven black foam stickers.



# Connections



① ② Red: +12VDC

③ Black: GND

④ Yellow: Video Output

⑤ White: Audio Output left

⑥ Red: Audio Output right

⑦ Yellow: Video Input

⑧ White: Audio Input left

⑨ Red: Audio Input right

⑩ Filter and 5A Fuse

⑪ Red: +12VDC

⑫ Black: GND

⑬ Yellow: (+) positiv door trigger

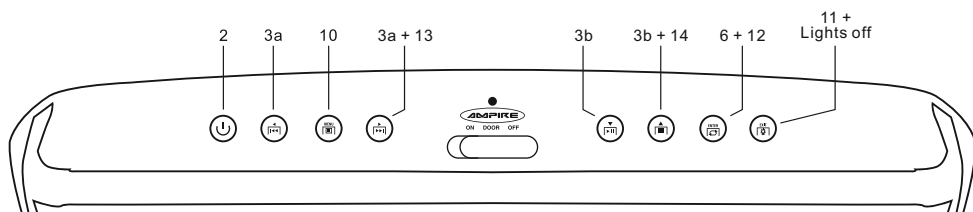
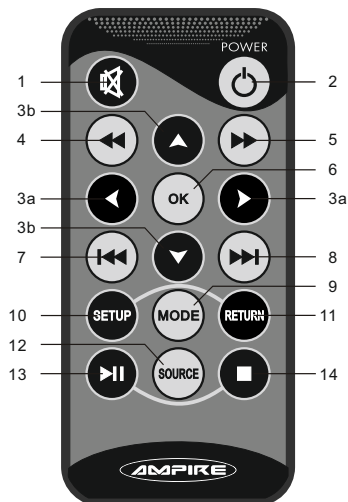
⑭ Green: (-) negativ door trigger

⑮ USB

⑯ HDMI Input

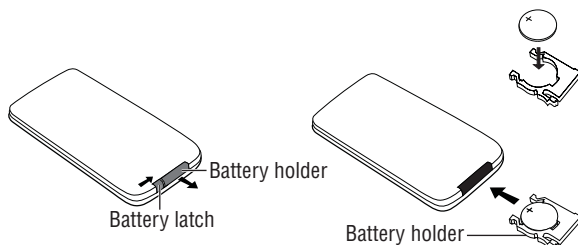
## Remote

- 1) Mute
- 2) Power On / Off
- 3a) Arrow buttons to select the menu values
- 3b) Arrow buttons to select the menu values and for Volume
- 4) Backward
- 5) Forward
- 6) OK to confirm the selected settings
- 7) Return
- 8) Next
- 9) Mode: To change the aspect ratio
- 10) Setup: To enter the setup menu
- 11) Return
- 12) Source: Selects the inputs USB, HDMI, AUX
- 13) Play/Pause
- 14) Stop & Return: Press 1x = stop, resume with Play  
Press 2x = fully stop, start at the main directory with Play



## Insert Batteries into Remote

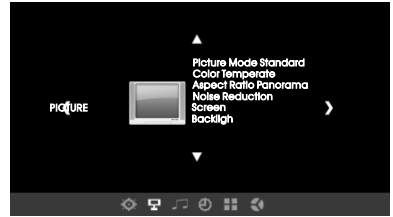
- Open the battery compartment.
- Insert a “2025” battery. Make sure of right polarity.
- Close the battery compartment.
- While operating remote control, please point it to the front panel of the OHV156-HD.



# Setup Menu

## Picture Setting

1. Press the Setup button of your remote to enter the setup menu.
2. Use the arrow buttons (3) to select desired function.
3. Press OK (6) to confirm the selection.
4. Press the Return Button (11) to exit the selection.



## Language Setting

1. Press the Setup button of your remote twice to enter the main menu.
2. Use the arrow buttons (3) to select desired function.
3. Press OK (6) to confirm the selection.
4. Press the Return Button (11) to exit the selection.



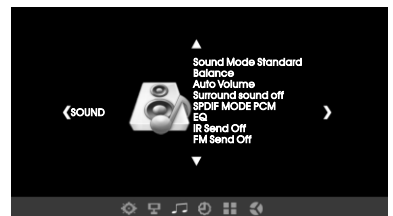
## Time Setting

1. Press the Setup button of your remote twice to enter the main menu.
2. Use the arrow buttons (3) to select desired function.
3. Press OK (6) to confirm the selection.
4. Press the Return Button (11) to exit the selection.



## Sound Setting

1. Press the Setup button of your remote to enter the sound menu.
2. Use the arrow buttons (3) to make your sound setting selections.
3. Press OK (6) to confirm the selection.
4. Press the Return Button (11) to exit the selection.



## USB Menu



### Photo Player

1. Select PHOTO in the USB menu and confirm with OK (6).
2. Use the arrow buttons (3) to select one photo and confirm with OK (6).
3. Press Play (13) to start the slide show and Return (11) to go back to the photo menu.

#### 4. Press the Source Button (11) to return to the USB menu.



### Music and Video Player

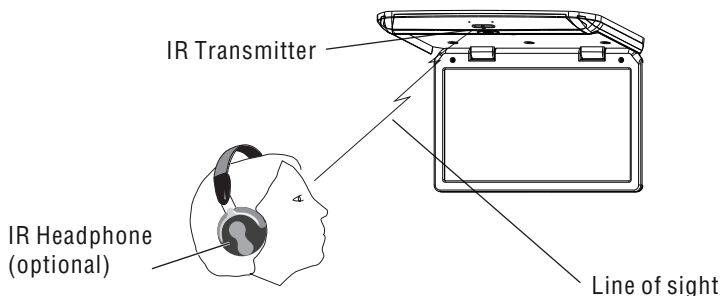
1. Select MUSIC or VIDEO in the USB menu and confirm with OK (6).
2. Use the arrow buttons (3) to select the right file.
3. Press Play (13) to start the playback.
4. Press Play (13) again for pause.



### Text Player

1. Select TEXT in the USB menu and confirm with OK (6).
2. Use the arrow buttons (3) to select the right file.
3. Press OK (6) to display the text.
4. Press the Return button (13) to return to the Text menu.

## IR Transmitter





## Technical Specifications

Display Size:	15.6" (39,6cm) HD LED
Resolution:	1920 x RGB x 1080 Pixel
Brightness:	300nits
Colors:	16.700.000
LED Backlight:	JA
Contrast Ratio:	500:1
Viewing Angle:	H160°, V160°
Video System:	PAL/NTSC
Inputs:	HDMI, AV (Cinch), USB
Outputs:	AV (Cinch, only when AV Input is selected)
Audio Transmitter:	IR CH A: 2.8MHz (R) / 2.3MHz (L) IR CH B: 3.8MHz (R) / 3.2MHz (L) FM Transmitter
IR Transmitter	For wireless Headphones (HP301)
USB Video Formats:	MPEG1/2/4, RM, RMVB, MOV, DIVX, MJPEG
USB Audio Formats:	WMA, MP3, M4A, AAC
USB Photo Formats:	BMP, JPEG, GIF, PNG, TIFF
USB Sticks:	2.0
Operation Voltage:	11VDC - 14VDC
Current Consumption (Standby):	0,04A
Current Consumption (max.):	2,0A
Operation Temperature:	-10°C - +70C
Connection Cable:	2,25m
Dimensions Closed (WxHxD):	410x320x30mm
Dimensions Open (WxHxD):	410x320x260mm
Weight:	2,9kg

Since its founding in 1987 Ampire Electronics has only one goal, to provide the best possible Autoalarm-, Autohifi- and Multimedia products, which are available on the international market.

All manufacturing facilities and suppliers are certified according to ISO 9001 and QS-9000. Ampire quality products are sold worldwide.

An Ampire customer service is available in many countries.  
For more information about distributors in your territory please call: + 49-2181-81955-0.

We are focused on future oriented development of user friendly products.  
The outstanding high quality standards, functionalities and designs of our products are unique in the market. "German Development" is taken literally in AMPIRE.

---

Langwadener Straße 60  
D-41516 Grevenbroich  
Email: [info@ampire.de](mailto:info@ampire.de)

Technical Support:  
Phone: 02181-81955-0  
Email: [support@ampire.de](mailto:support@ampire.de)

**[www.ampire.de](http://www.ampire.de)**