

Vehicle-specific camera

VSC-E-AU05/AU11/AU12/BM11/BM13/ME08/ME10/ME13

Delivery content



System cable extension with box 7m



Exchange rear door opener handle with integrated camera (exemplifying figure)

Product features

- Sensor – Typ 1/4" CMOS NTSC
- Angle horizontal 110°, vertical 90°, diagonal 140°
- Mirroring (fixed)
- Parking guide lines switchable
- Water resistance IP 68
- Power supply 10V - 15V
- Power consumption 1.5W/200mAh
- Video-input RCA connector
- Connector cable approx. 7m
- Fuse 2A

Camera-configuration

(Cut green cable loop if required)

With guide lines



Without guide lines



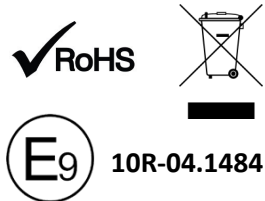
In case the isolation of the camera is harmed in the moisture section close to the camera, it is mandatory to repair the isolation. Otherwise the camera will inevitably become moist inside sooner or later.

Camera not suitable for permanent operation!

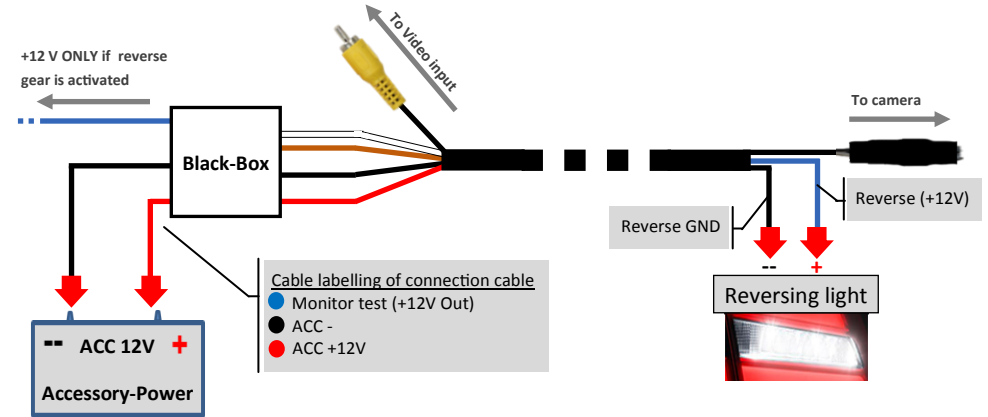
Tip for dealers:

Inform your end customers that the rear-view camera mustn't be cleaned by steam cleaner!

Made in China



Connection scheme: reversing signal by reversing light



Note: If the camera is powered by reverse signal we recommend to install a relay between power supply of reverse signal and power supply of the camera to ensure a stable and uninterrupted power supply and avoid unwanted errors in the board computer.

Connection scheme: reversing signal generated by a interface

