

Thank you for purchasing the Beat-Sonic DSA-05 Audio Interface Adapter Kit. You have purchased from Japan's leading supplier of car audio interface adapters and accessories. Designed and made in Japan, this product represents our commitment to quality and excellence. Please read this manual carefully prior to installing this product to ensure correct operation.

Compatible Vehicles	OEM Nav	Year	Chassis Code
Mitsubishi Pajero	MMCS + Rockford Fosgate	2010 - 2012	V93W / V97W / V98W
Mitsubishi Delica D:5	MMCS + Rockford Fosgate	2010 - 2012	CV2W / CV5W

The DSA-05 Audio Interface Adapter has been developed and tested for Japanese domestic model Mitsubishi Pajero and Delica D:5. Whilst this product may also work for export model Pajero, full functionality has not been confirmed and Beat-Sonic does not guarantee full operation for vehicles not explicitly listed in the above compatibility table.

■Features

- Allows installation of a double-DIN (178mm x 100mm) head unit to replace factory head unit.
- Retains function of factory option Rockford Fosgate amplifier and speakers.
- Compatible with 12 speaker sound system with Rockford Fosgate amplifier and MMCS navigation.

■Important

- Installation requires purchase of double-DIN Fascia Panel sold separately.
- Retention of factory reverse camera for Pajero requires Beat-Sonic part# BC19 sold separately.
- Retention of factory reverse, front and side camera system for Delica D:5 requires Beat-Sonic part# BC10 sold separately.
- Front / rear fader and any DSP functions on the aftermarket head unit will have no effect with this installation.
- Factory AUX input and Radio Data Service (RDS) will no longer function after removing the OEM head unit.
- Aftermarket head unit must support steering wheel audio buttons to retain this functionality. Depending on the aftermarket head unit, a separate steering wheel button interface may be required. See Appendix A on next page.
- This product will not rectify any pre-existing faults with the electrical system, factory amplifier and/or speakers.
- This product should be installed by an experienced motor vehicle technician or automotive electrical professional.
- The user assumes all responsibility for any damages and/or injuries caused as a result of improper installation.

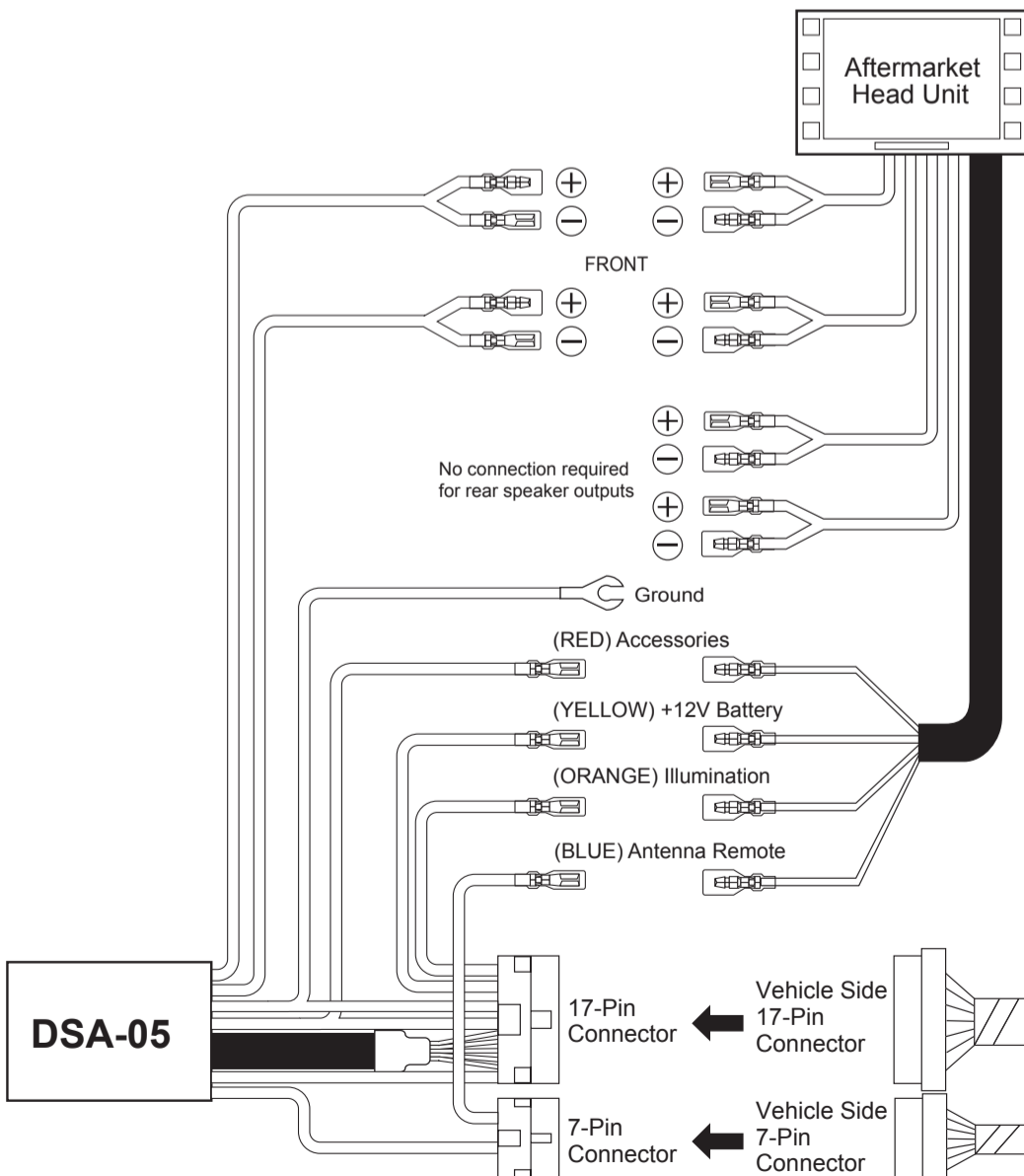
■Precautions

- Perform installation with patience and due care to prevent damage to this product or any part of the vehicle.
- Ensure all connectors, cables and terminals are correctly secured and fully inserted. Loose and/or improperly secured connectors will cause malfunction.
- Always grasp the connector plug when disconnecting the cable harness. Never disconnect connectors by pulling on the harness wires as serious damage can occur.
- Do not disassemble, modify or attempt to repair this device. Doing so will render the warranty void.
- Beat-Sonic and its affiliates shall not be held responsible for any consequence, either directly or otherwise, as a result of installing and/or using this product.
- Disconnect negative terminal of the vehicle battery prior to installation to prevent risk of short circuit.

■Contents

- Interface Adapter Module and Harness x 1
- Installation Manual x 1

Connection Diagram



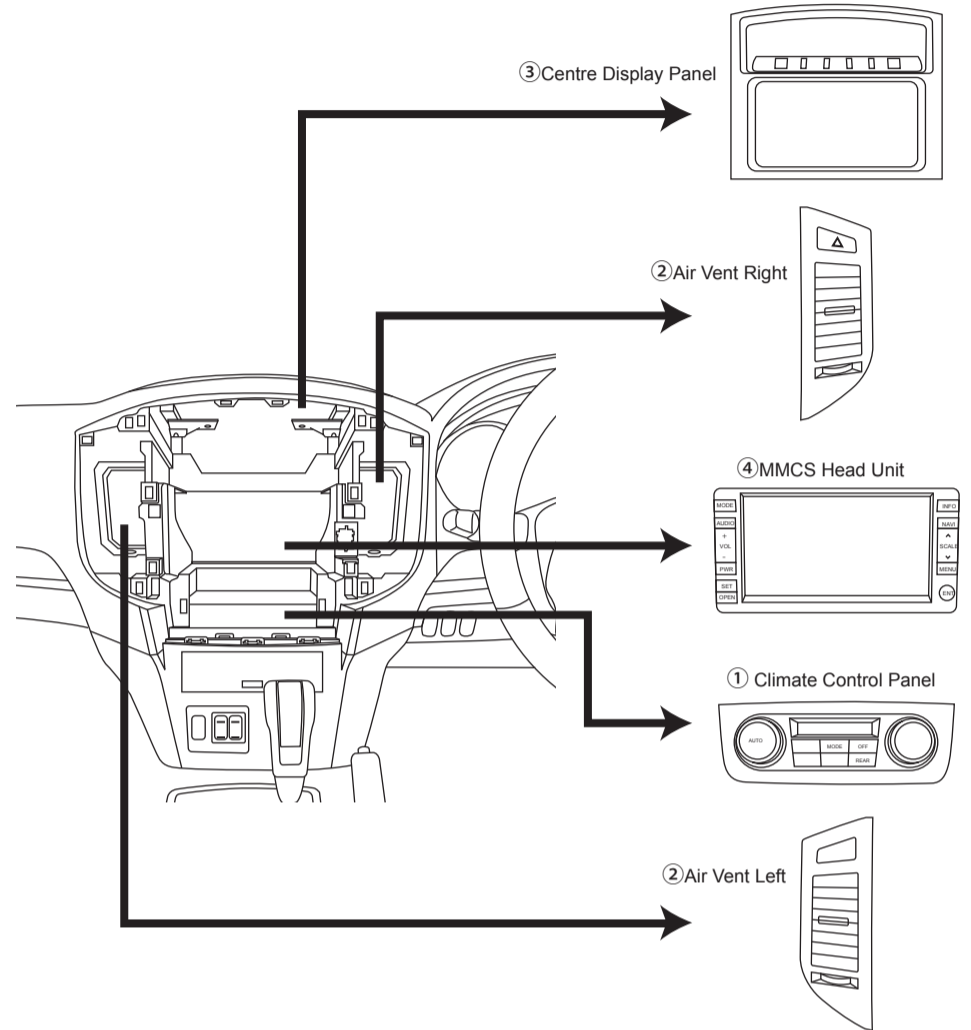
See Appendix overleaf for reverse camera and steering wheel audio button controls

Installation

1. Remove the Factory Head Unit

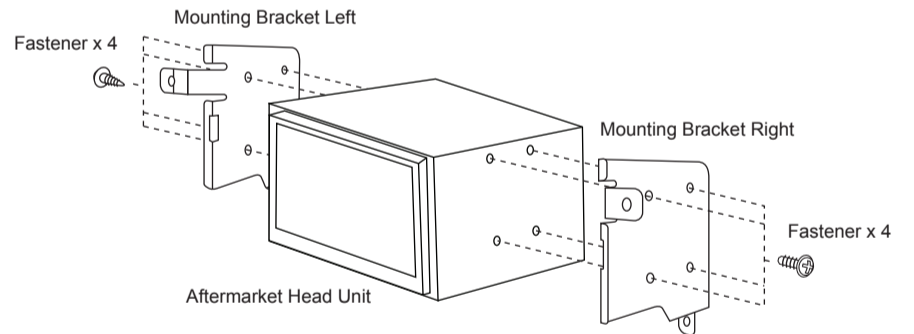
Disconnect the negative terminal of the vehicle battery and wait at least 90 seconds before proceeding to prevent accidental airbag deployment.

- 1.1 Remove the climate control panel by pulling away to disengage the clips.
- 1.2 Remove the air vents on either side of the centre display panel by pulling away to disengage the clips.
- 1.3 Remove the centre display panel by pulling away to disengage the clips.
- 1.4 Unscrew the 4 fasteners that secure the MMCS head unit then disconnect the connectors behind to remove.



2. Install the Double DIN Head Unit

2.1 Remove the mounting brackets from the MMCS Head Unit and attach them to the aftermarket head unit using the fasteners that came supplied with the aftermarket head unit.

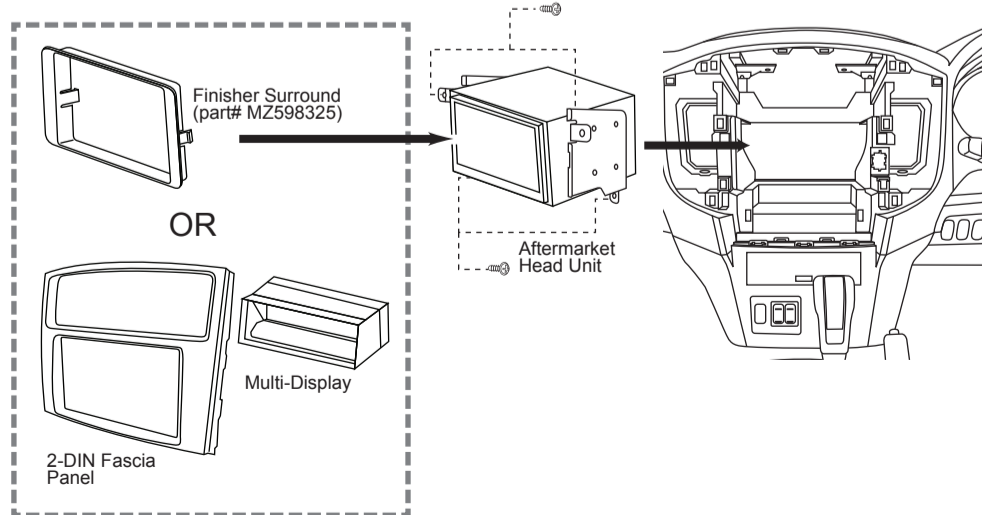


2.2 Connect the aftermarket head unit to the vehicle harness using the DSA-05 adapter. Refer to Appendix A & B overleaf for connection of reverse camera and steering wheel audio control buttons.

2.3 Secure the aftermarket head unit in place using the 4 fasteners.

2.4 If using the Mitsubishi genuine part MZ598325: clip the finisher surround in place before reinstalling the factory centre display panel.

If using the aftermarket 2-DIN Fascia Panel: remove the multi-display from the factory centre display panel and attach it to the aftermarket 2-DIN fascia panel. Reconnect the multi-display then clip the new fascia panel assembly in place.



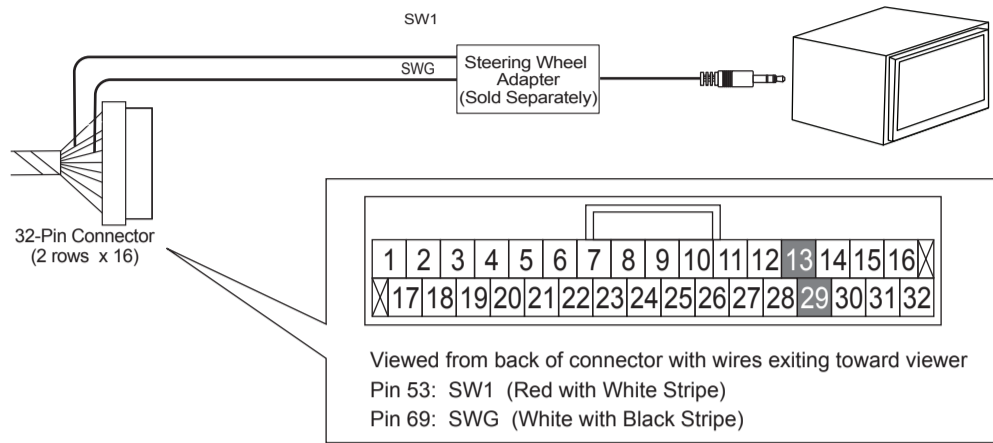
2.6 Re-assemble all parts in reverse order to complete the installation.

Appendix A

Steering Wheel Audio Button Connection (Optional)

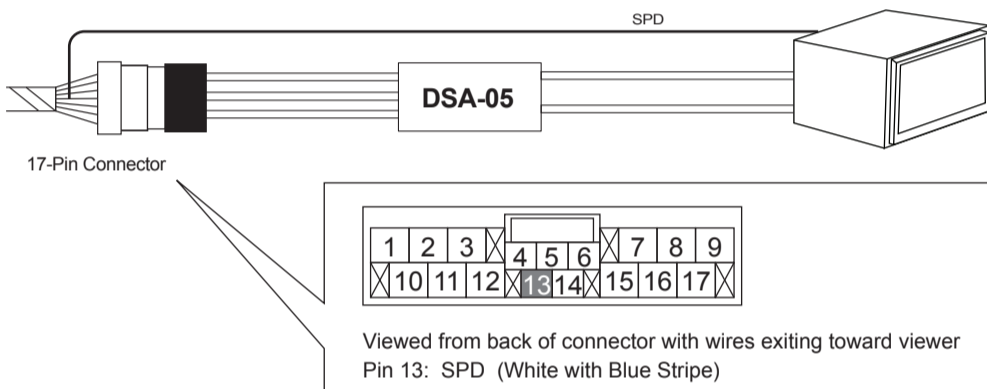
Vehicles equipped with factory steering wheel audio buttons can retain this function by hard wiring a suitable steering wheel interface adapter (sold separately) to the 32-pin connector located behind the head unit. SW1 is located on Pin# 13 and SWG is located on Pin# 29 of the 32-pin connector.

Ensure that the aftermarket head unit supports steering wheel audio button controls and follow the instructions of the steering wheel adapter for installation and programming.



Speed Sensor Connection (Optional)

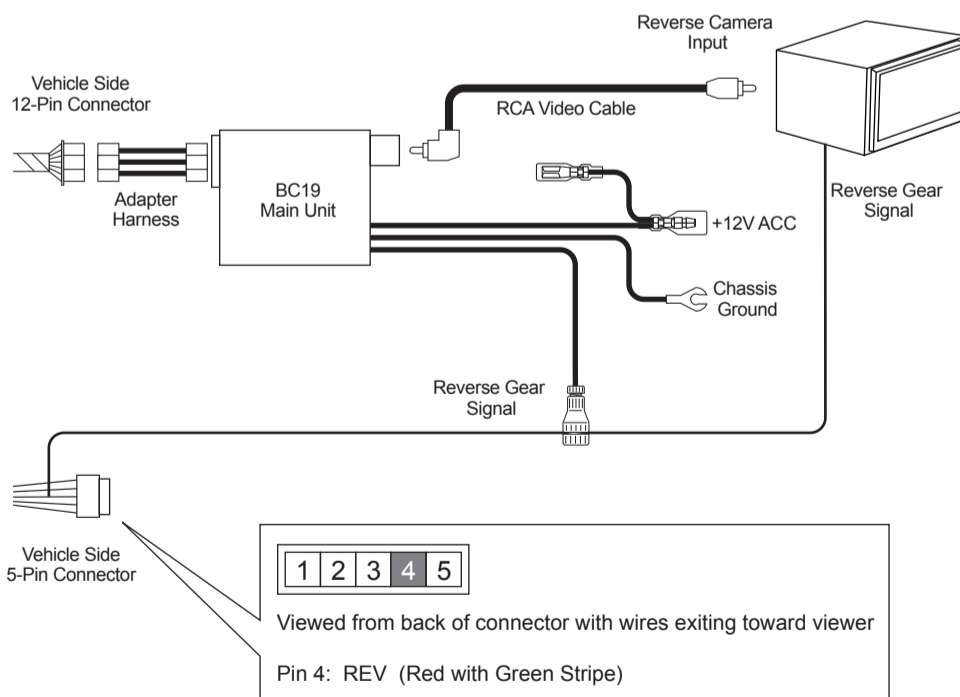
The vehicle's speed sensor can be connected to applicable aftermarket head units with speed sensor connection (SPD). Speed sensor connection is located on Pin# 13 of the 17-pin connector used by the DSA-05 adapter.



Appendix B

Pajero Camera Connection (Optional - Requires BC19 Sold Separately)

The factory Mitsubishi Pajero reverse camera can be retained by installing the BC19 Camera Adapter Kit (sold separately), providing the aftermarket head unit supports reverse camera input. Connection for reverse gear signal is located on Pin# 4 of the 5-pin connector.



DISCLAIMER

Information contained in this Appendix A and Appendix B is provided for guidance only. Electrical connectors, pin locations, wire colours etc. can vary depending on vehicle grade, year and region.

Confirm all connections using suitable test equipment prior to joining wires and finalising the installation.

International

Beat-Sonic
株式会社 ビートソニック

472-5, Koushin, Fujieda, Nisshin, Aichi, JAPAN.
 TEL: +81-561-73-9000 FAX: +81-561-74-5554
 www.beatsonic.co.jp E-mail: enquiries@beatsonic.co.jp

USA and Canada

Beat-Sonic
Beat-Sonic USA Inc.

14778 Beach Blvd. La Mirada, CA 90638
 TEL: 1-714-994-1085 FAX: 1-714-249-4741
 www.beatsonicusa.com E-mail: info@beatsonicusa.com