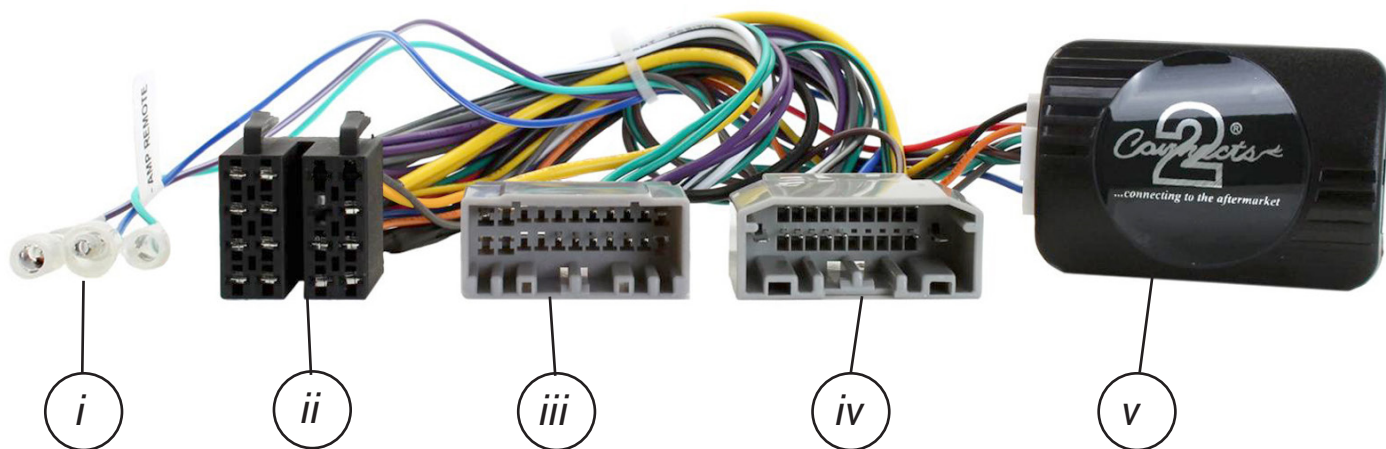




CTSCH00C

Steering Wheel Control Interface

for various Chrysler, Dodge, Jeep,
Mitsubishi, VW Vehicles



- i. Flying Wires
- ii. ISO Connector (16 Pin)
- iii. OEM Connector Variant 1 (22 Pin)
- iv. OEM Connector Variant 2 (22 Pin)
- v. Interface Box

Designed and
Engineered
in the UK. 

APPLICATION

Note: Application data is subject to change at any time

Chrysler

200	2011 - 2014
300C (LX)	2008 - 2010
300M	2002 - 2004
Aspen	2008 - 2009
Concorde	2002 - 2004
Pacifica	2004 - 2008
PT Cruiser	2002 - 2005
Sebring (JR/JS)	2002 - 2010
Town & Country	2002 - 2015
Voyager	2002 - 2013

Dodge

Avenger (JS)	2007 - 2015
Caliber (PK)	2006 - 2015
Caravan	2002 - 2015
Challenger	2008 - 2014
Charger	2006 - 2015
Dakota	2002 - 2011
Durango	2002 - 2009
Intrepid	2002 - 2004
Journey	2009 - 2010
Magnum	2005 - 2008
Nitro	2007 - 2011
RAM (DR/DH)	2002 - 2015
Stratus	2002 - 2006
Viper	2003 - 2009

Jeep

Compass	2009 - 2015
Commander (WH)	2008 - 2010
Patriot (PK)	2009 >
Liberty	2002 >
Wrangler	2003 >
Grand Cherokee (WJ/WH)	2002 - 2014

Mitsubishi

Raider	2008 - 2009
--------	-------------

Volkswagen

Routan	2009 - 2015
--------	-------------

FEATURES

- Retains Factory Steering Wheel Control Functionality
- Retains Factory Phone Button Functionality
- Provides Outputs for Park Brake, Reverse Gear & Amp Remote
- Updateable via USB (contact supplier for more information)

DISCLAIMER

The information provided in this document is subject to change without notice due to manufacturer changes and/or improvements to the product/s. This instruction manual is based on documented data and research. The manufacturer of this product cannot be held responsible for any changes made to the vehicle by the manufacturer or damages that may occur through the installation of this product in accordance with the steps outlined herein.

PRODUCT INFORMATION

CTSCH00C

CAN-Bus interface for a variety of vehicles (*See application list on front cover*). This interface retains the steering wheel controls and factory phone buttons (if vehicle is equipped).

This particular interface is supplied with 2x connector variants - when installing, select the appropriate connection for your vehicle.

WIRING KEY

IN ISO CONNECTOR

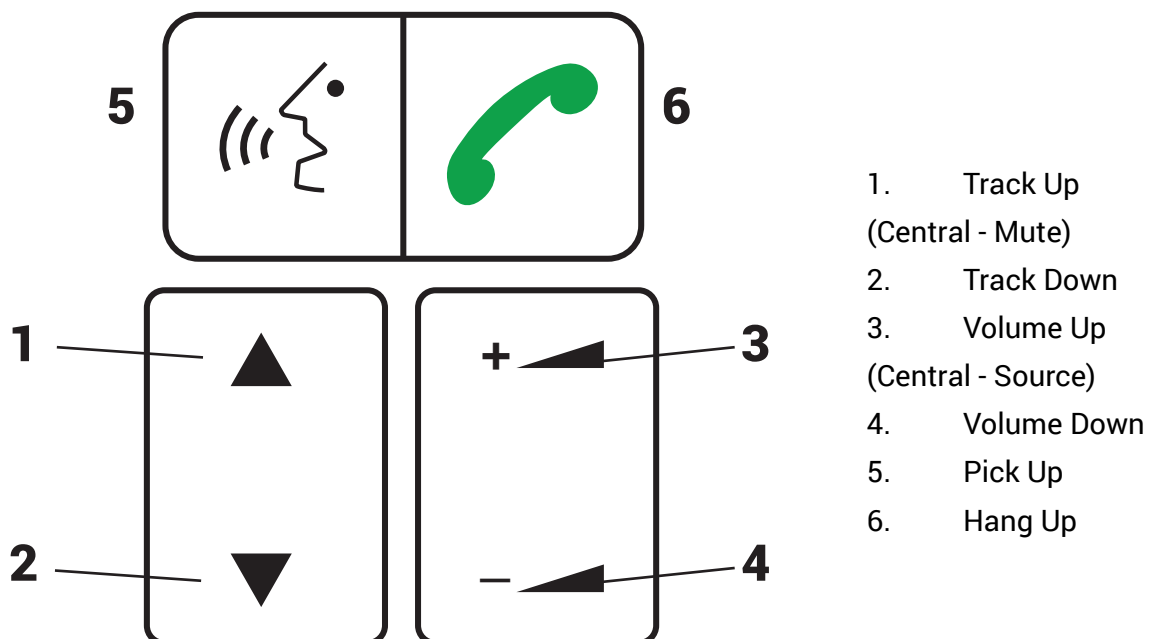
Purple	Right Rear Speaker +	Yellow	Permanent 12V
Purple/Black	Right Rear Speaker -	Black	Ground
Green	Left Rear Speaker +	Red	Ignition 12V
Green/Black	Left Rear Speaker -	Orange	Illumination
Grey	Right Front Speaker +	Blue	Antenna Remote
Grey/Black	Right Front Speaker -		
White	Left Front Speaker +		
White/Black	Left Front Speaker -		

ADDITIONAL CONNECTIONS

Green	Park Brake
Purple/White	Reverse Gear
Blue/White	Amp Remote

STEERING WHEEL CONTROL FUNCTIONALITY

The following diagram, though based on careful research, is an example only. Individual steering wheel control configurations may differ.



PRIOR TO INSTALLATION

Read the manual prior to installation. Technical knowledge is necessary for installation. The place of installation must be free of moisture and away from heat sources. Please ensure that the correct tools are used during the installation to avoid damage to the vehicle or product.

Connects2 can not be held responsible for the installation of this product.

INSTALLATION GUIDE

See wiring diagram on Pg.4 for more information

Before installing the interface, the factory stereo must be removed and disconnected. To do this, please consult the vehicle owner's manual/handbook or contact a fitting professional.

A stereo connection (patch) lead is also required for the installation of this interface (supplied seperately). Please ensure that you have the correct lead before proceeding. For universal patch leads, prepare the wiring loops in accordance with the instruction manual supplied with the product before installation.

1. Connect the 12 Pin connector from the stereo connection (patch) lead to the interface box
2. Connect the opposite end of the stereo connection (patch) lead to the steering wheel control input on the back of the aftermarket stereo

NOTE: This may be a 3.5mm jack connector or a wired input depending on the brand of aftermarket stereo being fitted. Please consult the aftermarket stereo installation manual for further information on where to make the connection

IMPORTANT: THIS STEP MUST BE COMPLETED BEFORE CONNECTING POWER TO THE INTERFACE. FAILURE TO DO SO MAY RESULT IN A LACK OF FUNCTIONALITY AND THE NEED TO REINSTALL THE PRODUCT

3. Connect the 14 Pin connector from the supplied wiring loom to the interface box
4. Connect the power/speaker ISO connector to the power/speaker ISO connector at the rear of the aftermarket stereo.

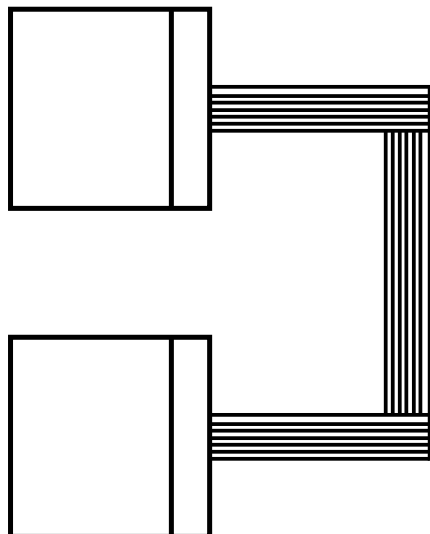
NOTE: For aftermarket stereos which do not have an ISO connector, please see "Wiring Key" on Pg.2 for information on which wires to connect. Some interfaces may also have additional 'flying' wires which can be connected to the vehicle to support various features ie. parking brake trigger, reverse gear and speed pulse. Details of these can be found under 'Additional Connections'.
5. Connect the appropriate OEM variant connector on the supplied harness to the OEM connector from the vehicle.
6. Test stereo and steering wheel control functionality for correct operation before reassembling the vehicle dashboard. If steering wheel control functions are unresponsive, please uninstall the interface and wiring and reinstall carefully in accordance with the above steps.

***For further help, please contact and fill out a support ticket with the full details of your issue at:
support.connects2.com/tickets/technical***

WIRING DIAGRAM

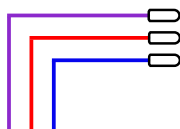
OEM Connector (22 Pin)

Connect to OEM connector from vehicle.
Select appropriate variant for the vehicle.



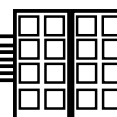
Flying Wires

Green - Park Brake
Purple/White - Reverse Gear
Blue/White - Amp Remote



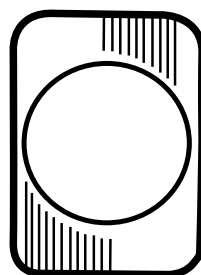
ISO Connector

Connect to aftermarket stereo



Main Wiring Loom Connector [14 Pin]

Connect to Interface Box



Interface Box



Stereo Connection (Patch) Lead Connector [12 Pin]

Connect to Interface Box



Note: Must be connected first, before power connection is made to the interface