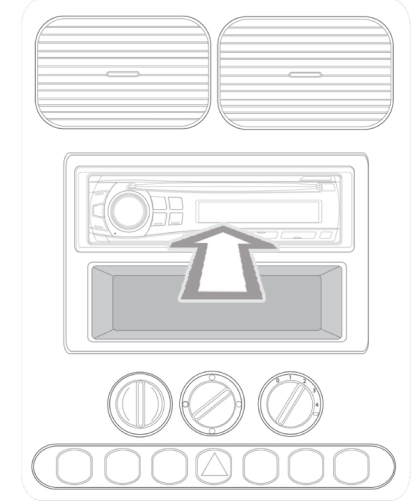
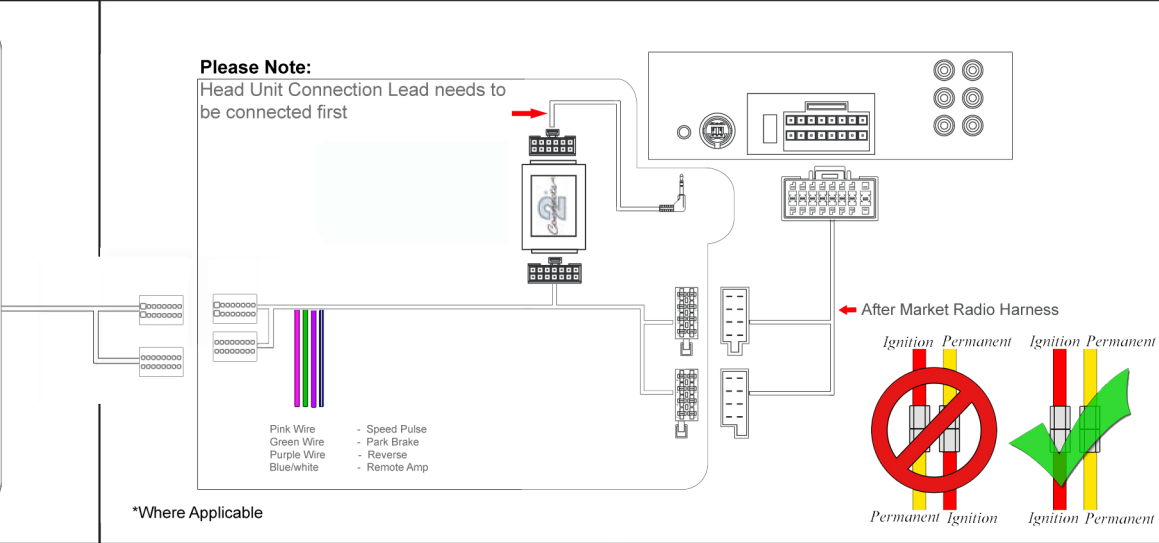
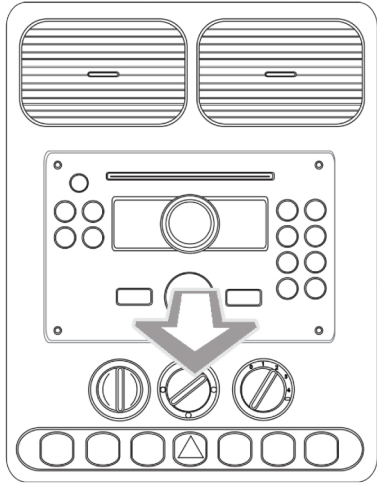


Installation Guide

Part No: CTSMT002.2 Mitsubishi Can-Bus Steering Wheel Control Interface



Vehicle Compatibility:

Mitsubishi

Outlander 2007 >
Lancer 2007 >

with
Rockford Fosgate
Amplified Systems

Steering Wheel Control Functions



Volume +

Volume -

Source



Seek/Track+

Seek/Track-



Pick Up

Hang Up

* Note All Dates are guide lines only as specifications of vehicles change

Installation Guide

Part No: CTSMT002.2 Mitsubishi Can-Bus Steering Wheel Control Interface



Here is a list of the Setting/Installer menu items and the corresponding number of beeps:

- 1 High pitched beep - Subwoofer volume (0->5)
- 2 High pitched beeps - Sound field (Flat, Studio, Club, Concert, DolbyProLogicII) A medium pitched beep is emitted when Flat is selected
- 3 High pitched beeps - Fader (Front11 -> Center -> Rear11)
A medium pitched beep is emitted when fader is in center.
- 4 High pitched beeps - Main volume setting (amp gain) - a medium pitched beep is emitted when the volume is changed by the installer to the default value
- 5 High pitched beeps - Steering wheel type. UP (3) selects new type steering wheel buttons (medium pitched beep), DOWN (2) selects old steering wheel type buttons (low pitched beep)

Installation & User Guide

Settings Menu

To Enter press and hold MODE (1) for 5 seconds (it will beep when menu mode is entered)

To change current value of the settings when in menu use UP (3) & DOWN (2).

When in settings menu, short press of MODE (1) will change to the next item in the menu and a long press of MODE (1) will exit settings menu (three low pitched beeps on exiting menu).

If no buttons are pressed for 10 seconds, the menu will exit automatically and 3 low pitched beeps will be heard.

Installer settings menu

The installer menu adds two extra items to the settings menu (Amp Gain & Steering wheel type).

To enter installer menu, press MODE (1) and UP (3) for 5 seconds until the first beep is heard, then release the MODE (1) button while keeping the UP (3) button pressed for a further 5 seconds.

Five low pitched beeps are emitted when the installer menu is enabled, then you can release UP (3).

Please Note: Steering wheel type (old/new) needs to be set using installer setting menu.



Example of changing the steering wheel control type from new to old

hold MODE (1) and UP (3) for 5 seconds

1 high Beep -> Subwoofer Volume

release MODE (1) while holding UP (3) for 5 seconds

5 low pitched beeps - Installer menu enabled, but still in subwoofer volume

quick press of MODE (1)

2 high beeps -> Soundfield

quick press of MODE (1)

3 high beeps -> Fader

quick press of MODE (1)

4 high beeps -> Main volume

quick press of MODE (1)

5 high beeps -> Steering wheel control type

quick press of DOWN (2)

1 low beep for old steering wheel control type

hold MODE (1) for 5 seconds

3 low beeps -> exit menu to normal mode

Example of changing the fader in settings menu

hold MODE (1) for 5 seconds

1 high Beep -> Subwoofer Volume

quick press of MODE (1)

2 high beeps -> Soundfield

quick press of MODE (1)

3 high beeps -> Fader

UP (3) / DOWN (2) to change fader setting

hold MODE (1) for 5 seconds

3 low beeps -> exit menu to normal mode