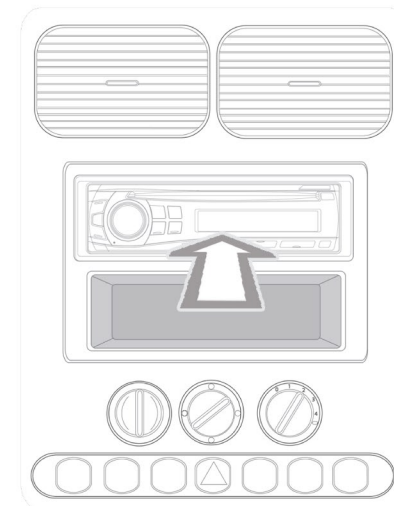
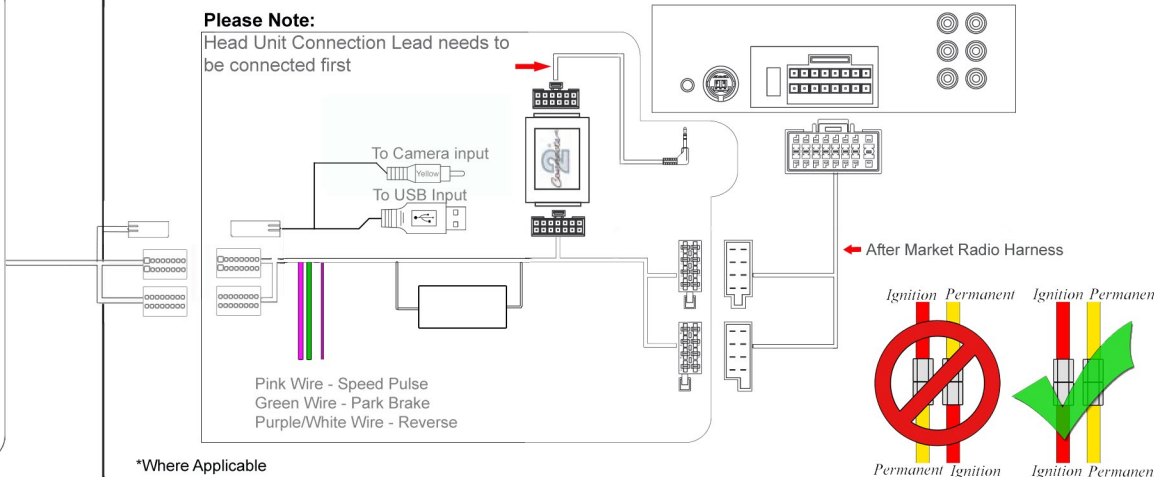
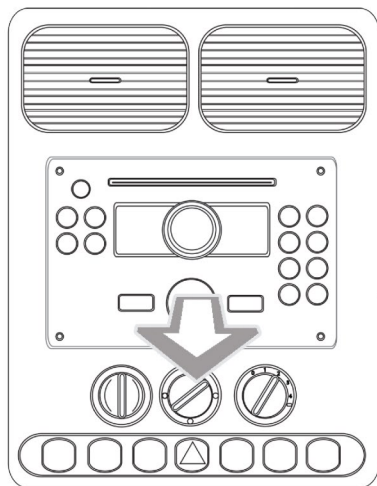


# Installation Guide

Part No: **CTSNS014.2**

Nissan CAN-Bus Steering Wheel Control Interface



## Vehicle Compatibility:

Navara 2015>  
Frontier 2015>

with OEM camera retention

## Steering Wheel Control Functions



### Setting Vehicle Time

Press and hold 'Enter' for 8 seconds. Use 'Track -' to change hours and 'Track +' to change minutes. Short press enter to set the time, or press and hold 'Enter' to exit the menu without saving changes.

\* Note All Dates are guide lines only as specifications of vehicles change