

Mercedes Sprinter† 2019-Up

Visit MetraOnline.com for more detailed information about the product and up-to-date vehicle specific applications

† Excluding models with a touchscreen radio

KIT FEATURES

- ISO DDIN radio provision
- Polished gloss black to match the factory finish

KIT COMPONENTS

- A) Radio trim panel • B) Radio brackets • C) #8 x 3/8" Phillips pan-head screws (4)

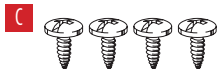
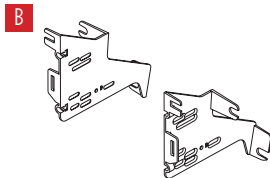
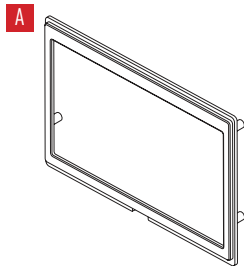


TABLE OF CONTENTS

Dash Disassembly	2
Kit Assembly	3

WIRING & ANTENNA CONNECTIONS (sold separately)

Wire Harness: See metraonline for harness and interfacing solutions

Antenna Adapter: 40-EU10

TOOLS REQUIRED

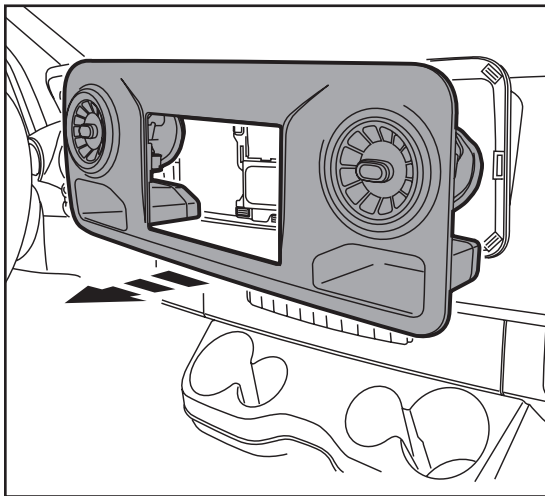
- Panel removal tool • Phillips screwdriver
- Torx T-20 screwdriver

Attention! Let the vehicle sit with the key out of the ignition for a few minutes before removing the factory radio. When testing the aftermarket equipment, ensure that all factory equipment is connected before cycling the key to ignition.

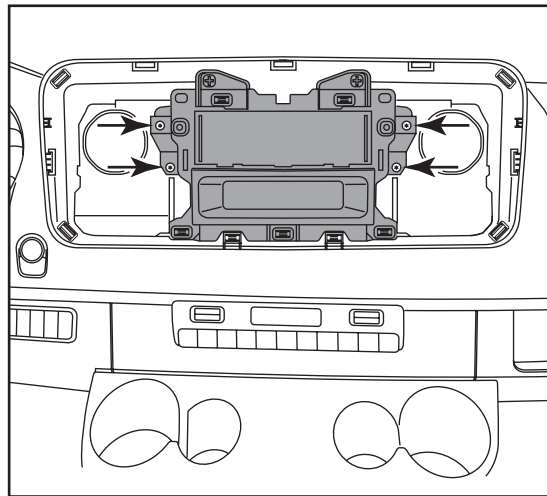
DASH DISASSEMBLY

1. Unclip and remove the radio trim panel. (Figure A)
2. Remove (4) Torx T-20 screws securing the radio and pocket assembly. Slide the assembly out, then unplug and remove. (Figure B)

Continue to Kit Assembly



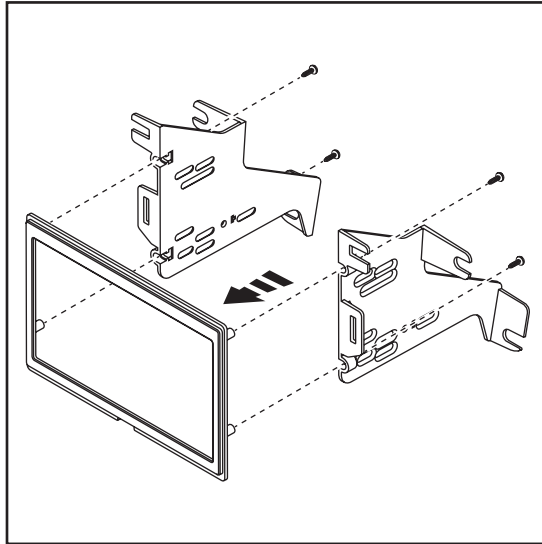
(Figure A)



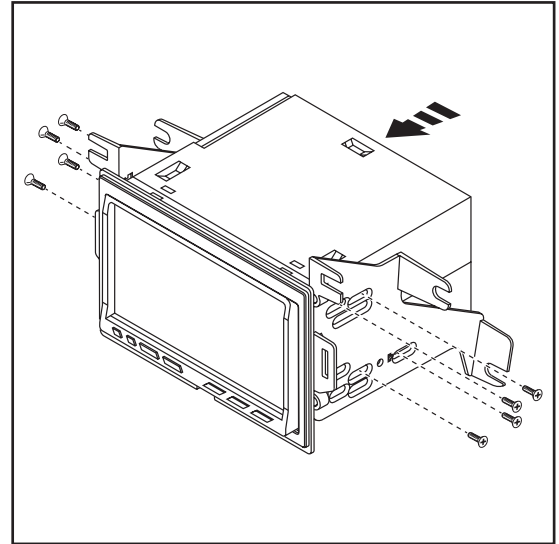
(Figure B)

KIT ASSEMBLY

1. Secure the **radio brackets** to the radio trim panel using (4) #8 x 3/8" Phillips pan-head screws provided. (Figure A)
2. Slide the radio into the bracket/panel assembly, then secure using screws supplied with the radio. (Figure B)
3. Locate the factory wiring harness and antenna connector in the dash and complete all necessary connections to the radio. Metra recommends using the proper mating adapter from Metra and/or Axxess. Test the radio for proper operation.
4. Slide the radio assembly into the dash, then secure using the factory screws.
5. Attach the factory radio trim panel to complete the installation.



(Figure A)



(Figure B)



95-8731
INSTALLATION INSTRUCTIONS



If you are having difficulties with the installation of this product, contact our Tech Support line either by phone at **386-257-1186 ext. 8300**, or email at **techsupport@metra-autosound.com**. Before doing so, look over the instruction booklet a second time and ensure that the installation was performed exactly as the instruction booklet is stated. Have the vehicle apart and ready to perform troubleshooting steps before contacting Metra/Axxess Tech Support.



KNOWLEDGE IS POWER

Enhance your installation and fabrication skills by enrolling in the most recognized and respected mobile electronics school in our industry. Log onto www.installerinstitute.com or call 800-354-6782 for more information and take steps toward a better tomorrow.



Metra recommends MECP certified technicians