

7inch monitor

MR-700



**High-resolution digital 7 inch 16:9 HD-monitor
with 2 video inputs with separate triggers**

Product features

- **2 switchable video inputs e.g., for rear view camera and front camera**
- **Video inputs AHD (720p, 960p, 1080p) and CVBS compatible**
- **Video inputs NTSC and PAL compatible**
- **Switchable via permanent- or pulse voltage**
- **Automatic switch-on and switch-off via switching inputs**
- **Separate audio inputs for both video inputs**
- **Integrated mono speaker**
- **Guide-lines activatable**
- **Last position memory (switching on in last mode)**
- **Inputs with system connector 4P for cameras with 4-pin mini-DIN with CV assignment**
- **1 adapter to RCA included**
- **Car and truck compatible (12V/24V) with 12V power supply for cameras**
- **Adjustable picture cut-off delay for both video inputs**
- **Mirroring and rotation of camera picture on both video inputs separately selectable**
- **Automatic dimming of display brightness adjustable**

Contents

1. Prior to installation

- 1.1. Delivery contents
- 1.2. Monitor dimensions

2. Connection schema

- 2.1. Connection – 8pin monitor cable (power)
- 2.2. Connection - 8pin monitor cable (trigger inputs)
- 2.3. Connection – (A)V-source with 4pin mini-DIN cable
- 2.4. Connection – camera with 4pin mini-DIN connector (without cinch)
- 2.5. Connection – Shutter camera with 4pin mini-DIN cable

3. Monitor operation

4. Specifications

5. Technical support

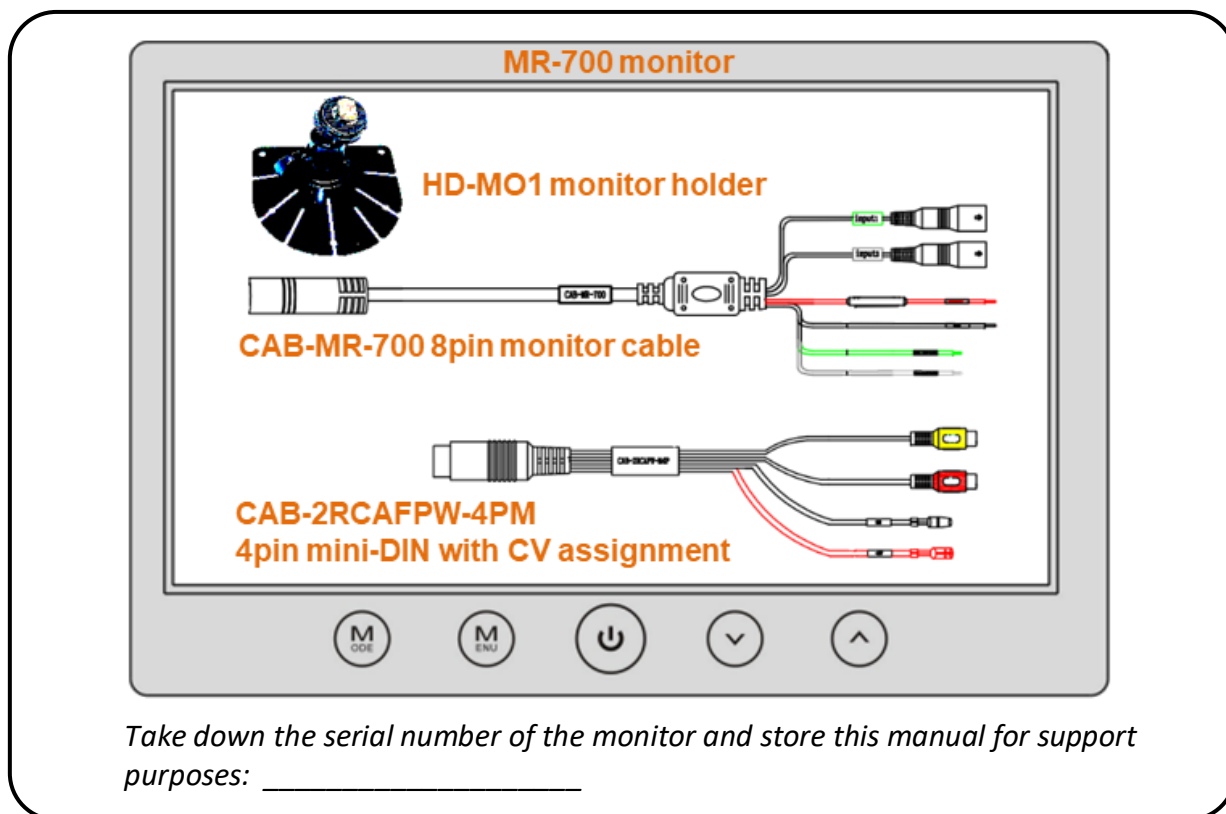
Legal Information

By law, watching moving pictures while driving is prohibited, the driver must not be distracted. We do not accept any liability for material damage or personal injury resulting, directly or indirectly, from installation or operation of this product. Apart from using this product in an unmoved vehicle, it should only be used to display fixed menus or rear-view-camera video when the vehicle is moving (for example the MP3 menu for DVD upgrades).

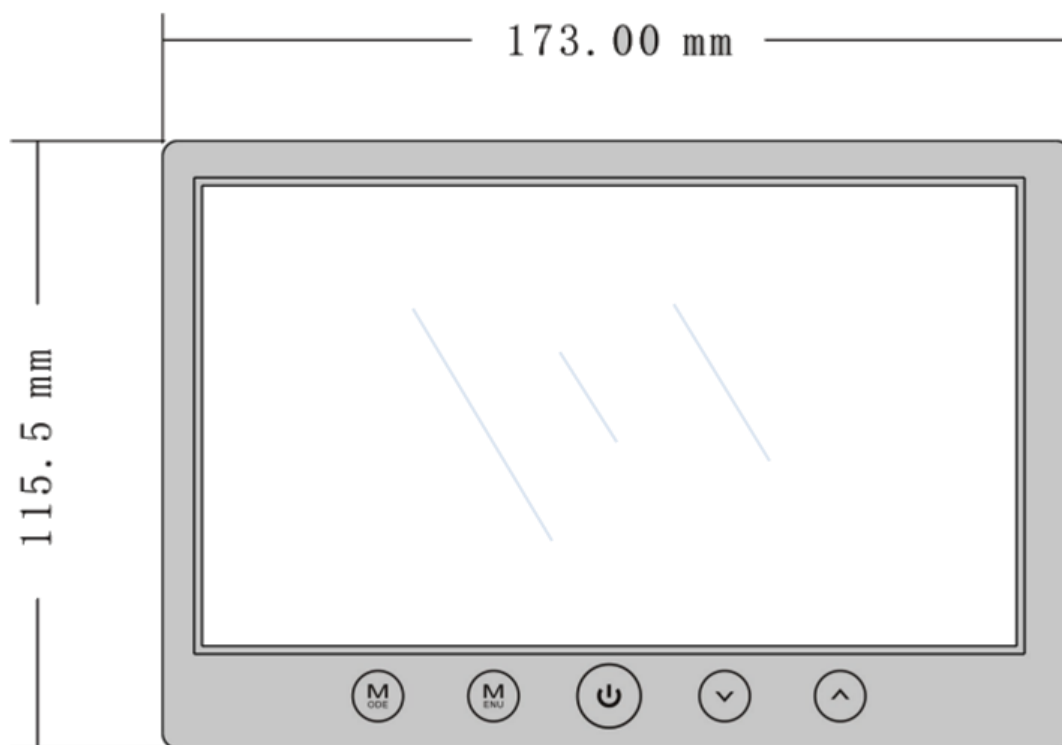
1. Prior to installation

Read the manual prior to installation. Technical knowledge is necessary for installation. The monitor's place of installation must be free of moisture and away from excessive heat.

1.1. Delivery contents

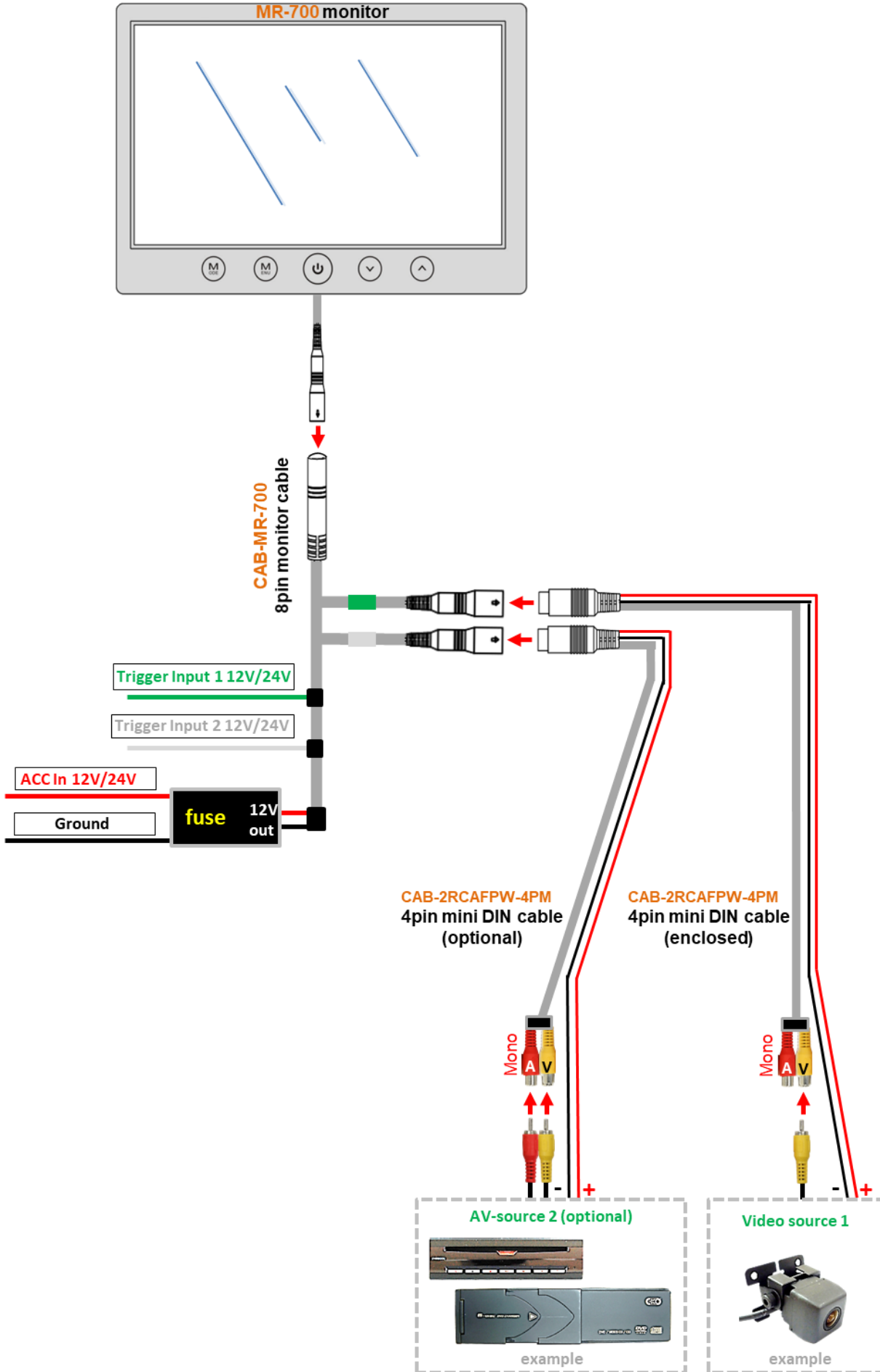


1.2. Monitor dimensions

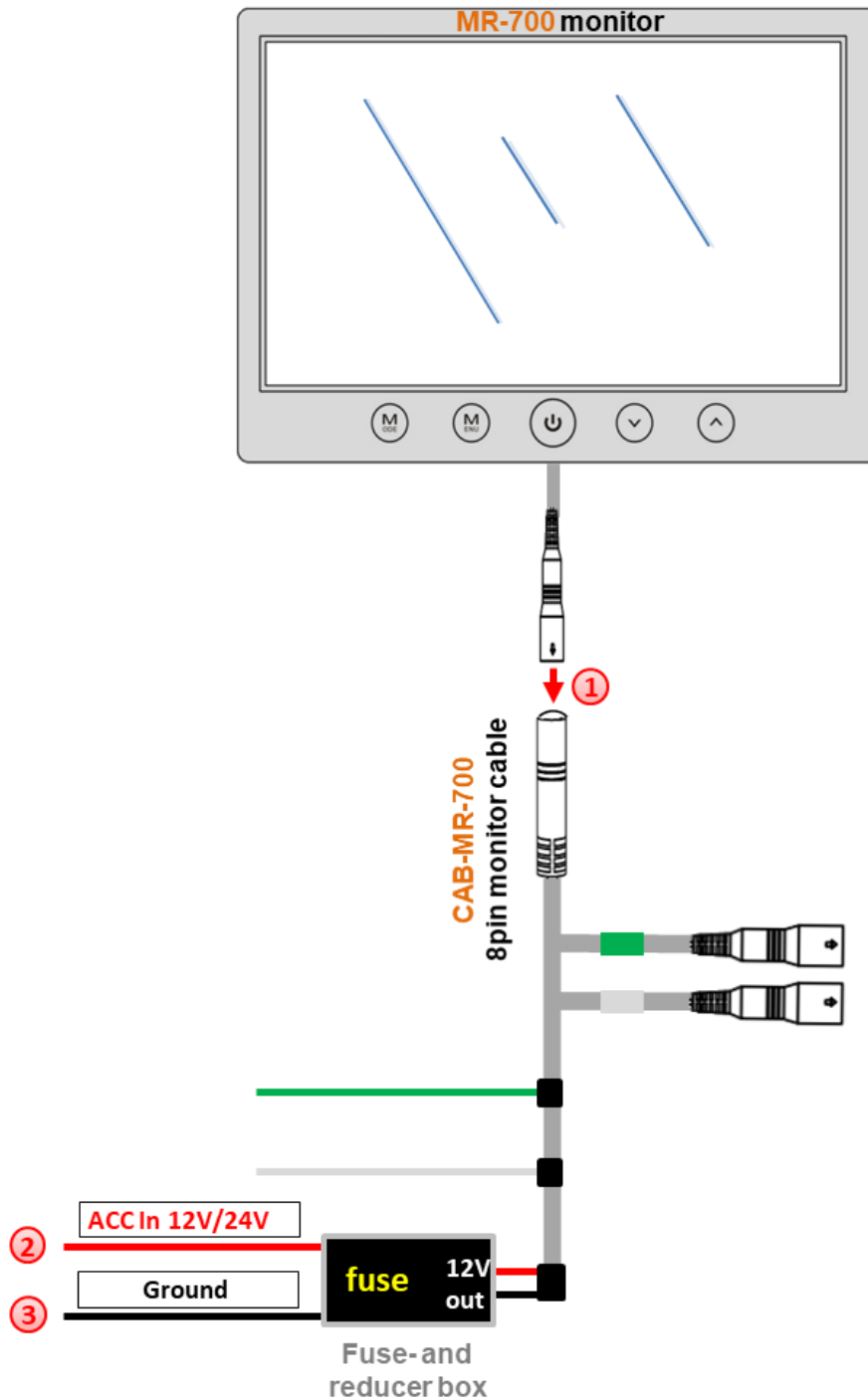


Thickness without holder: 23mm

2. Connection schema



2.1. Connection – 8pin monitor cable (Power)



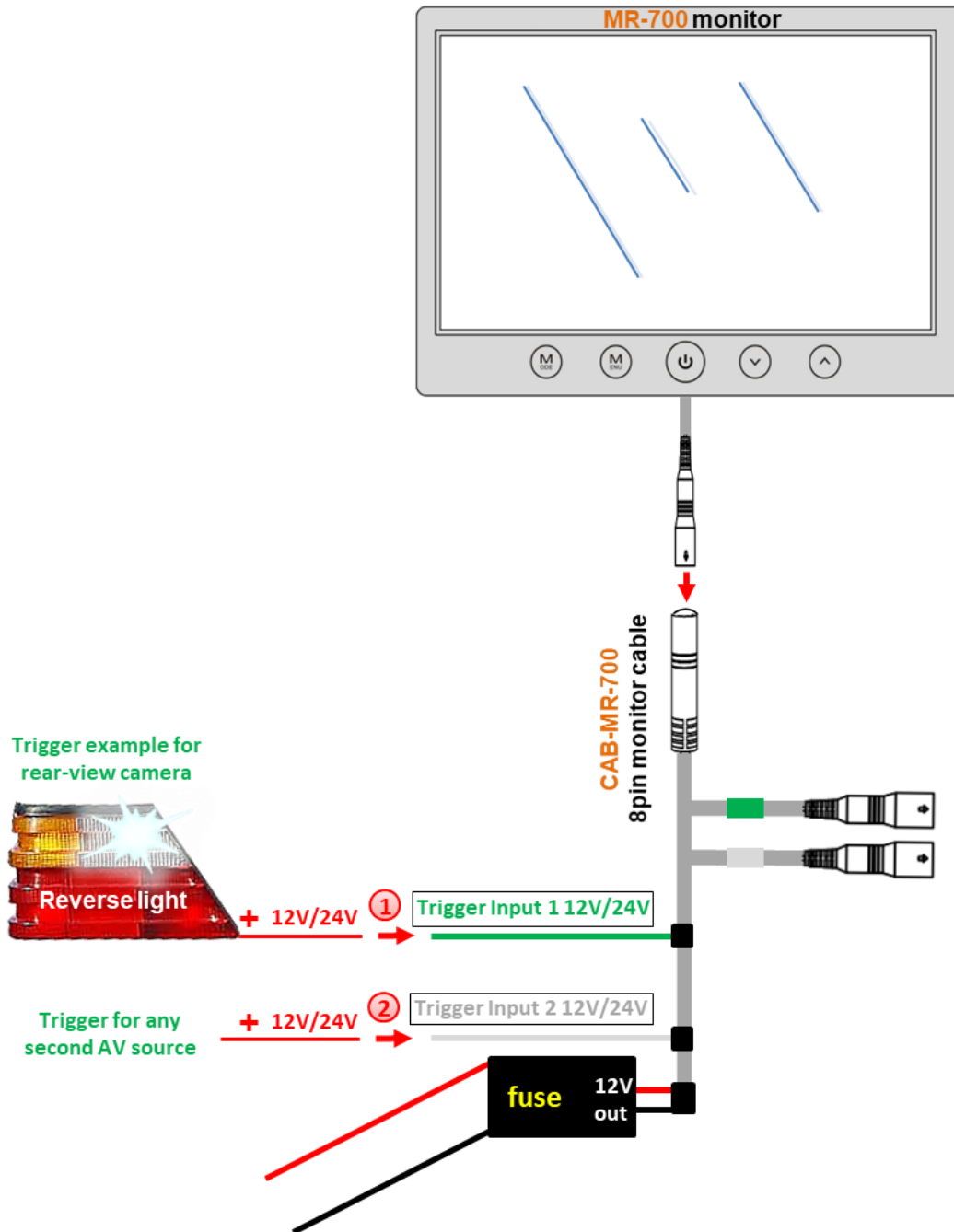
① Connect female 8pin connector of monitor-to-monitor cable's male 8pin connector.

② Connect red wire "ACC IN 12V/24V" to stable +12V ACC or +24V ACC.

Note: The fuse- and reducer box in the power line supplies the monitor and the 4pin mini-DIN system ports for (A)V-sources with +12V max. 2.5A, regardless of whether the connection to vehicle is to +12V or +24V.

③ Connect the black wire of the 8-pin monitor cable to vehicle ground.

2.2. Connection – 8pin monitor cable (trigger inputs)



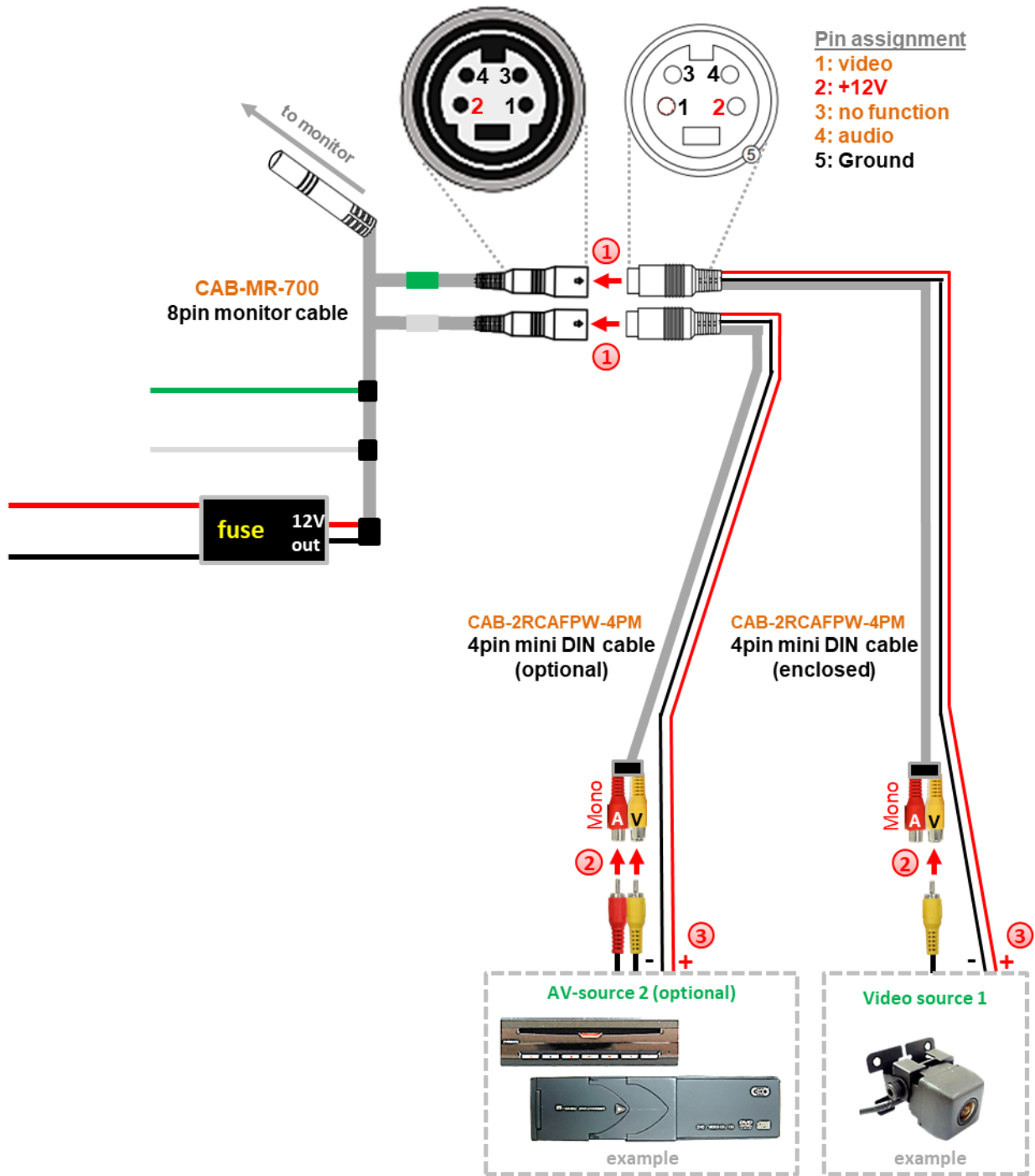
- 1 Connect green trigger input "Trigger Input 1 12V/24V" to a for the (A)V source connected to the green 4pin mini-DIN system ports appropriate trigger signal of +12V or +24V (example reverse gear signal for rear-view camera).

Note: Activation via trigger inputs also works with pulsed voltage. In this case it is suspended again after the pulse frequency has stopped (e.g., turn signal).

- 2 Connect grey trigger input "Trigger Input 2 12V/24V" to a for the (A)V source connected to the green 4pin mini-DIN system ports appropriate trigger signal of +12V or +24V.

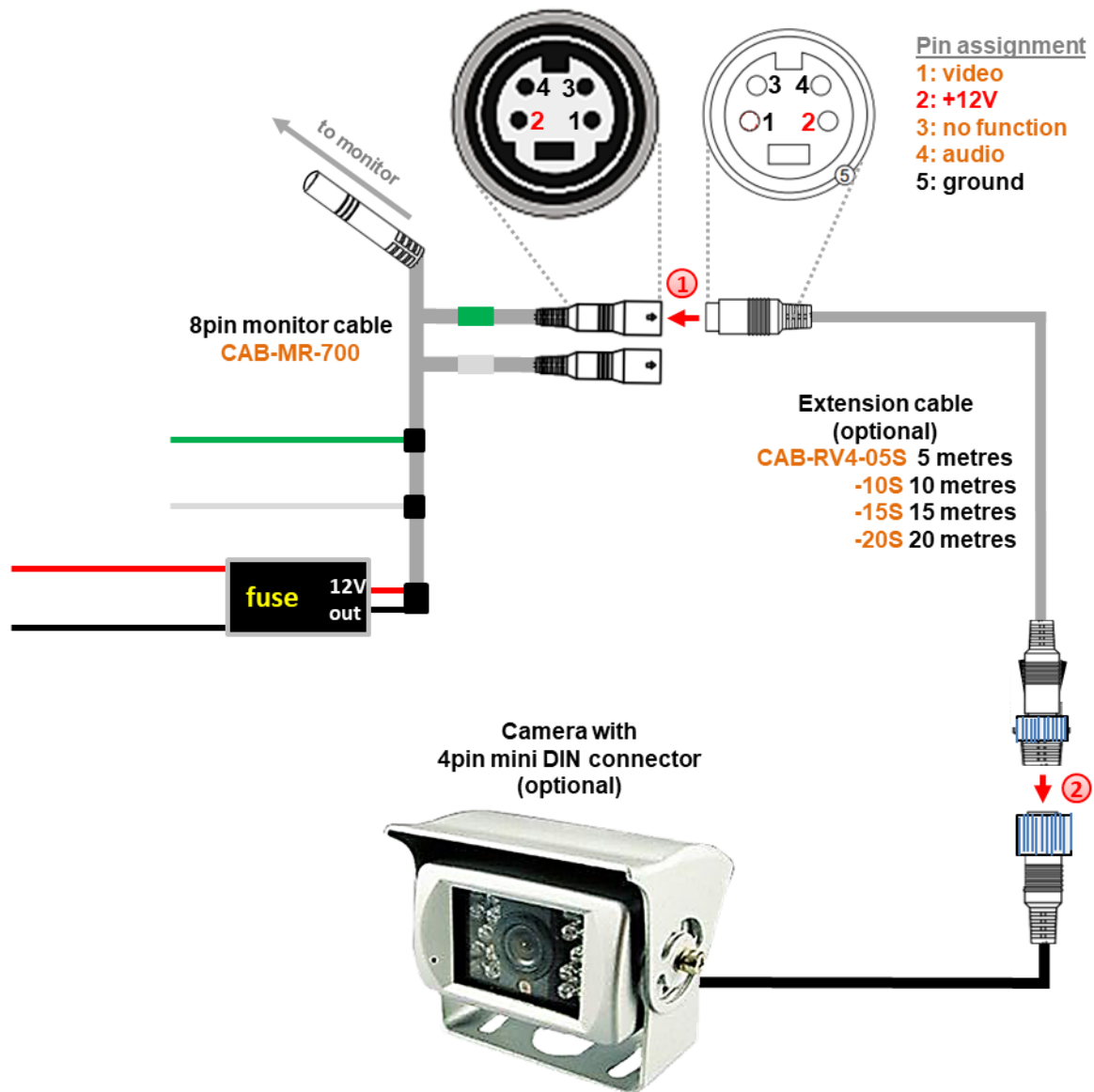
Note: If both inputs are triggered at the same time, (A)V-source 1 is priority.

2.3. Connection – (A)V-source with 4pin mini-DIN cable



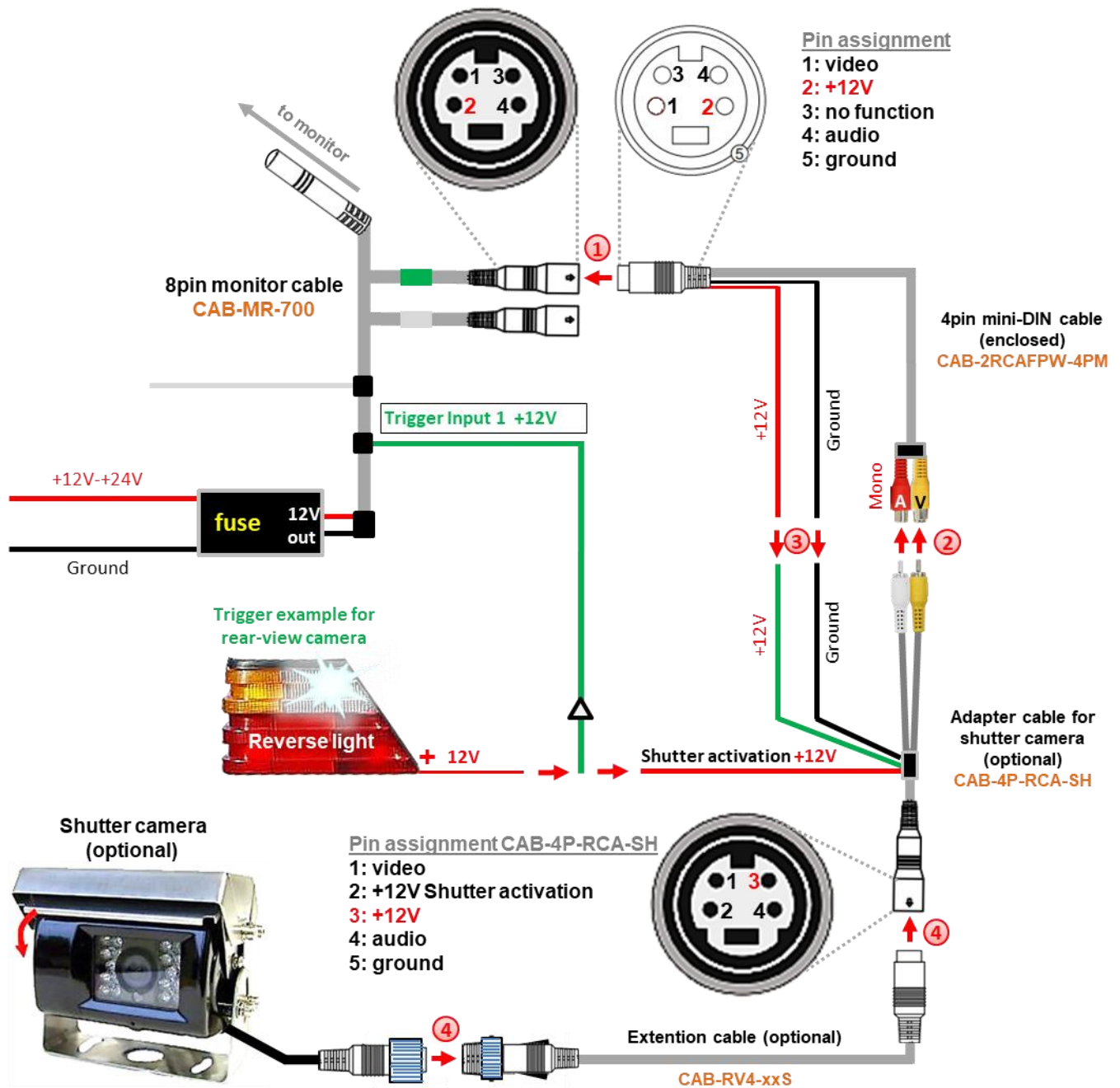
- 1 Connect male 4pin connector of 4pin mini-DIN cable to female 4pin connector "Input 1" of 8pin monitor cable (connection of a second (A)V-source is possible with an optional 4-pin mini-DIN cable to "Input 2").
- 2 Connect male yellow video RCA connector of (A)V-source 1 to female yellow video RCA connector of 4-pin mini-DIN cable. Connect available audio output of the (A)V-source to female red audio RCA connector.
- 3 Connect power supply and ground lead(s) of connected (A)V-source(s) to the red (+12V max. 1A) and black (ground) power output leads of the 4-pin mini-DIN cable.

2.4. Connection – camera with 4pin mini-DIN connector (without RCA)



- 1 Connect male 4pin mini-DIN connector of the optionally in desired length available **CAB-RV4-xxS** system extension cable to female 4pin mini-DIN connector "Input 1" of 8-pin monitor cable (connection of another camera or (A)V-source possible to "Input 2").
- 2 Connect camera's male 4-pin mini-DIN connector with screw cap to female 4-pin mini-DIN connector (+12V max. 1A) of optionally available **CAB-RV4-xxS** system extension cable and tighten screw.

2.5. Connection – Shutter camera with 4pin mini-DIN cable



- 1 Connect male 4pin connector of 4pin mini-DIN cable to female 4pin connector "Input 1" of 8pin monitor cable (connection of another camera or (A)V-source to "Input 2" is possible).
- 2 Connect yellow video and white audio male RCA connectors of adapter cable **CAB-4P-RCA-SH** to yellow video and white audio female RCA connectors of 4pin mini-DIN cable **CAB-2RCAFPW-4PM**.
- 3 Connect green (black) wire of adapter cable **CAB-4P-RCA-SH** to red (black) wire (+12V max. 1A) of 4pin mini-DIN cable **CAB-2RCAFPW-4PM**.
- 4 Connect male 4pin mini-DIN connector of optionally in desired length available **CAB-RV4-xxS** system extension cable to female 4pin mini-DIN connector of adapter cable **CAB-4P-RCA-SH** and connect the other end to male 4pin mini-DIN screw connector of shutter camera and tighten screw.

3. Monitor operation



Power: “POWER” key turns monitor off or on. The monitor supports “last position memory”. When the monitor is shut off (powered on) while switching off ACC, the monitor will start shut off (powered on) next time ACC is turned on. It also remembers the last selected (A)V-source.

Source selection: “MODE” key switches between V1 and V2

OSD-menu: “MENU” key opens OSD-menu

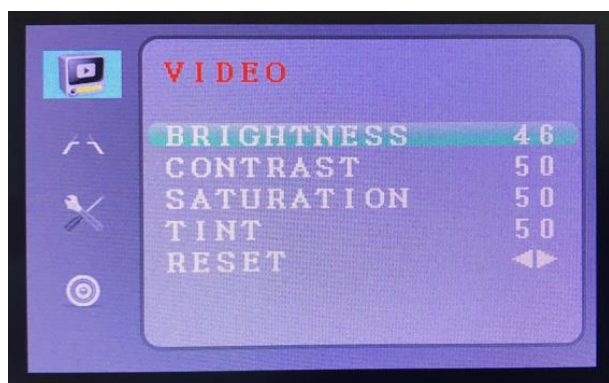
“MENU” key then changes between menu pages VIDEO, CAR, SYSTEM; AUDIO

“MENU” key in AUDIO menu closes OSD-menu

“MODE” key moves cursor down in current menu

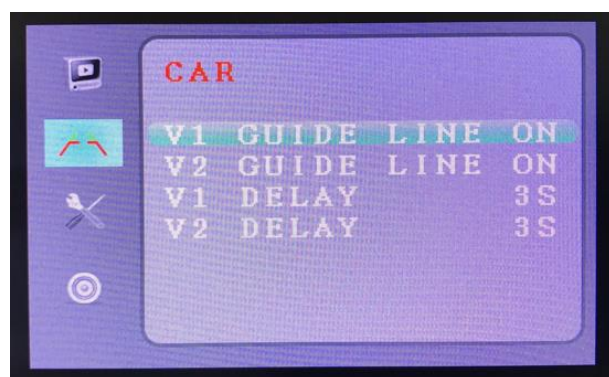
“UP” and “DOWN” keys change values of menu item the cursor is on

Menu items in VIDEO menu page



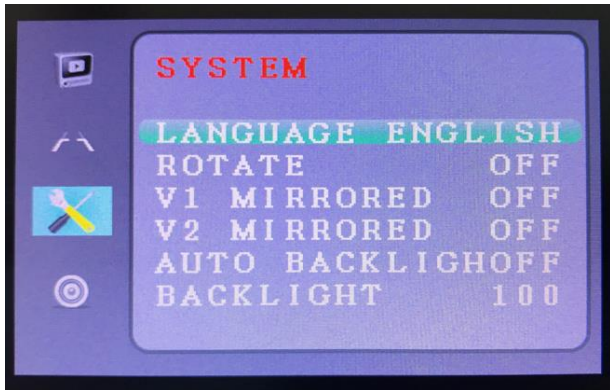
Brightness (0 – 100)
Contrast (0 – 100)
Saturation (0 – 100)
Tint (0 – 100)
Reset (factory settings)

Menu items in CAR menu page



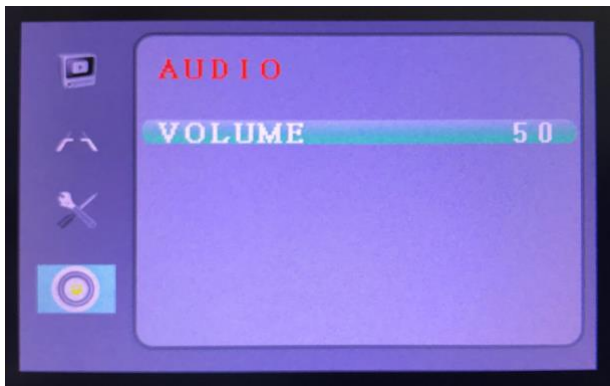
V1 guide line for source 1 (ON/OFF)
V2 guide line for source 2 (ON/OFF)
Picture delay time for source 1 (OFF/0- 10 sec)
Picture delay time for source 2 (OFF/0- 10 sec)

Menu items in **SYSTEM** menu page



- Choosing language (English/Deutsch)
- Rotating picture both inputs (ON/OFF)
- Mirroring of source 1 image (ON/OFF)
- Mirroring of source 2 image (ON/OFF)
- Brightness dependant dimmer (ON/OFF)
- Manual dimmer (0 – 100)

Menu items in **AUDIO** menu page



- Volume of internal speaker (0 – 100)

4. Specifications

Monitor type	7inch AHD/CVBS monitor
Operating voltage range	9V - 30V
Stand-by power drain (when shut off)	approx. 110mA @ 12V
Operating current (monitor only)	approx. 300mA @12V
Maximum camera power current V1/V2	2A @ 12V total (1A/input)
Maximum current (incl. camera power)	2.5A @12V
Video input voltage	0.7V - 1V
Video input TV-standard	NTSC/PAL
Video input signal type	AHD (720p, 960p, 1080p) or CVBS
Temperature range	-40°C to +85°C
Dimensions (monitor without holder)	173 x 115.5 x 23 mm (W x H x D)

5. Technical Support

Please note that direct technical support is only available for products purchased directly from NavLinkz GmbH. For products bought from other sources, contact your vendor for technical support.

NavLinkz GmbH
Distribution/tech dealer support
Heidberghof 2
D-47495 Rheinberg

Tel +49 2843 1759500
E-Mail mail@navlinkz.de



10R-06 3963

Made in China

