

HOW TO INSTALL

TS-WX400DA

Be sure to read this instruction manual before installing this speaker.

The following data is based on Pioneer's vehicle research and is provided as a guideline only.

This guideline is not a full complete installation instruction guide for all vehicles. Vehicles in this guideline have the space for TS-WX400DA under-seat and in the trunk.

Model availability varies by region. Please contact your Pioneer Authorized Dealer for specific model availability.

■ Subwoofer installation coverage

(Symbol)

◎	Can be installed.
■	Can be installed. (Less than 5 cm (2") protruding)
N/A	Installation is not possible.

MAKE	MODEL	MODEL YEAR	LOCATION	TS-WX400DA
Audi	A3	2012 - present	Under-seat	N/A
			Trunk	◎
CITROEN	C1	2014 - present	Under-seat	◎
			Trunk	◎
CHEVROLET	AVEO	2009 - 2017	Under-seat	◎
			Trunk	◎
	CRUZE	2016 - present	Under-seat	N/A
			Trunk	◎
	EQUINOX	2010 - 2017	Under-seat	◎
			Trunk	◎
	IMPALA	2014 - present	Under-seat	N/A
			Trunk	◎
	MALIBU	2016 - present	Under-seat	N/A
			Trunk	◎
	ONIX	2012 - present	Under-seat	■
			Trunk	◎
	SILVERADO	2014 - present	Under-seat (front)	◎
			Under-seat (rear)	◎
	SONIC	2012 - present	Under-seat	◎
			Trunk	◎
TAHOE	2015 - present	Under-seat (front)	N/A	
		Under-seat (rear)	N/A	
		Trunk	◎	
TRAX	2013 - present	Under-seat	N/A	
		Trunk	◎	
DODGE	ATTITUDE	2015 - present	Under-seat	◎
			Trunk	◎
	RAM1500	2009 - present	Under-seat (front)	◎
			Under-seat (rear)	◎
FIAT	500	2007 - present	Under-seat	◎
			Trunk	◎
	ARGO	2017 - present	Under-seat	◎
			Trunk	◎
	MOBI	2016 - present	Under-seat	◎
			Trunk	◎
Ford	EDGE	2015 - present	Under-seat	◎
			Trunk	◎
	ESCAPE	2013 - present	Under-seat	◎
			Trunk	◎

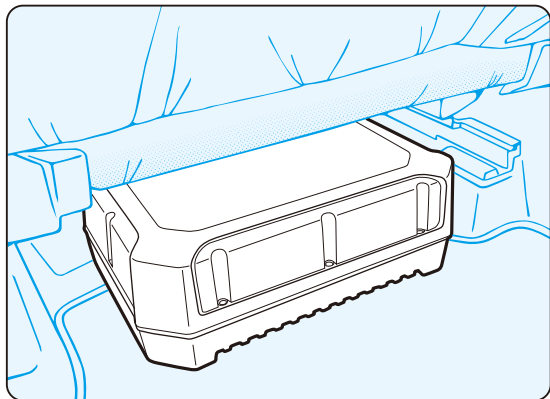
Ford	EXPEDITION	2007 - 2017	Under-seat	N/A
			Trunk	⊙
	EXPLORER	2011 - present	Under-seat	N/A
			Trunk	⊙
	F-150	2015 - present	Under-seat (front)	N/A
			Under-seat (rear)	⊙
	FIESTA	2009 - 2017	Under-seat	⊙
			Trunk	⊙
	FOCUS	2011 - present	Under-seat	⊙
			Trunk	⊙
	FUSION	2013 - present	Under-seat	N/A
			Trunk	⊙
KA	2014 - present	Under-seat	⊙	
		Trunk	⊙	
MUSTANG	2015 - present	Under-seat	N/A	
		Trunk	⊙	
HONDA	ACCORD	2018 - present	Under-seat	⊙
			Trunk	⊙
	CR-V	2017 - present	Under-seat	⊙
			Trunk	⊙
	CIVIC	2016 - present	Under-seat	N/A
			Trunk	⊙
HR-V	2016 - present	Under-seat (front)	⊙	
		Under-seat (rear)	■	
		Trunk	⊙	
HYUNDAI	CRETA	2015 - present	Under-seat	⊙
			Trunk	⊙
	ELANTRA	2016 - present	Under-seat	⊙
			Trunk	⊙
	HB20	2013 - present	Under-seat	N/A
			Trunk	⊙
	i20	2014 - present	Under-seat	⊙
			Trunk	⊙
	i30	2017 - present	Under-seat	N/A
			Trunk	⊙
	SANTA FE	2013 - present	Under-seat	⊙
			Trunk	⊙
	SOLARIS	2018 - present	Under-seat	⊙
			Trunk	⊙
	SONATA	2018 - present	Under-seat	N/A
			Trunk	⊙
	Tucson	2016 - present	Under-seat	N/A
			Trunk	⊙
Xcent	2014 - present	Under-seat	N/A	
		Trunk	⊙	
Jeep	CHEROKEE	2014 - present	Under-seat	⊙
			Trunk	⊙
	GRAND CHEROKEE	2011 - present	Under-seat (front)	N/A
			Under-seat (rear)	⊙
			Trunk	⊙
	RENEGADE	2015 - present	Under-seat	⊙
			Trunk	⊙
	WRANGLER	2006 - 2018	Under-seat (front)	N/A
Under-seat (rear)			⊙	
Trunk			⊙	
2018 - present		Under-seat	⊙	
	Trunk	⊙		
LADA	GRANTA	2012 - present	Under-seat	N/A
			Trunk	⊙
	KALINA	2013 - present	Under-seat	⊙
			Trunk	⊙

LADA	LARGUS	2012 - present	Under-seat	⊙
			Trunk	⊙
	PRIORA	2007 - present	Under-seat	N/A
			Trunk	⊙
	VESTA	2015 - present	Under-seat	N/A
			Trunk	⊙
	XRAY	2015 - present	Under-seat	⊙
			Trunk	⊙
MAZDA	MAZDA 3	2009 - 2013	Under-seat	⊙
			Trunk	⊙
Mercedes	A-Class	2013 - 2018	Under-seat	N/A
			Trunk	⊙
Mahindra	BOLERO	2000 - present	Under-seat	N/A
			Trunk	⊙
	KUV100	2016 - present	Under-seat	⊙
			Trunk	⊙
	SCORPIO	2014 - present	Under-seat	⊙
			Trunk	⊙
	TUV300	2015 - present	Under-seat	⊙
			Trunk	⊙
MARUTI SUZUKI	ALTO 800	2012 - present	Under-seat	⊙
			Trunk	⊙
	ALTO K10	2014 - present	Under-seat	⊙
			Trunk	⊙
	BALENO	2015 - present	Under-seat	⊙
			Trunk	⊙
	CELERIO	2014 - present	Under-seat	⊙
			Trunk	⊙
	CIAZ	2014 - present	Under-seat	⊙
			Trunk	⊙
	IGNIS	2016 - present	Under-seat	⊙
			Trunk	⊙
	S-CROSS	2013 - present	Under-seat	⊙
			Trunk	⊙
	SWIFT	2010 - 2017	Under-seat	⊙
			Trunk	⊙
		2017 - present	Under-seat	⊙
			Trunk	⊙
VITARA BREZZA	2016 - present	Under-seat	⊙	
		Trunk	⊙	
WAGON R	2010 - present	Under-seat	⊙	
		Trunk	⊙	
NISSAN	ALTIMA	2013 - present	Under-seat	⊙
			Trunk	⊙
	KICKS	2016 - present	Under-seat	⊙
			Trunk	⊙
	MARCH	2010 - 2016	Under-seat	⊙
			Trunk	⊙
	QASHQAI	2013 - present	Under-seat	⊙
			Trunk	⊙
	ROGUE	2013 - present	Under-seat	N/A
			Trunk	⊙
	SENTRA	2013 - present	Under-seat	N/A
			Trunk	⊙
VERSA	2012 - present	Under-seat	N/A	
		Trunk	⊙	
Opel	ASTRA	2009 - 2015	Under-seat	⊙
			Trunk	⊙
		2015 - present	Under-seat	⊙
			Trunk	⊙
	CORSA	2014 - present	Under-seat	N/A
			Trunk	⊙

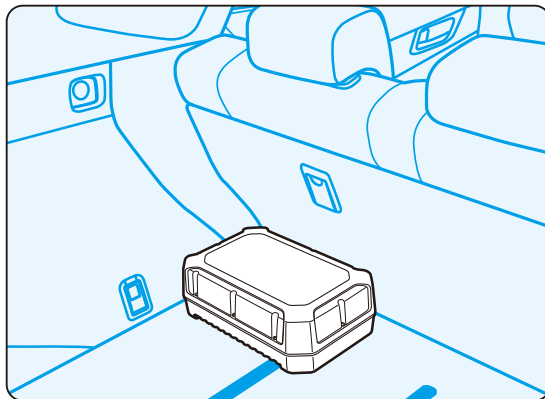
PEUGEOT	208	2012 - present	Under-seat	N/A
			Trunk	☉
	2008	2013 - present	Under-seat	N/A
			Trunk	☉
	308	2013 - present	Under-seat	N/A
			Trunk	☉
RENAULT	CAPTUR	2013 - present	Under-seat	☉
			Trunk	☉
	CLIO	2012 - present	Under-seat	☉
			Trunk	☉
	DUSTER	2010 - 2018	Under-seat	☉
			Trunk	☉
	KWID	2015 - present	Under-seat	☉
			Trunk	☉
	MEGANE	2016 - present	Under-seat	N/A
			Trunk	☉
	SANDERO	2012 - present	Under-seat	☉
			Trunk	☉
	TWINGO	2014 - present	Under-seat	☉
			Trunk	☉
SEAT	LEON	2012 - present	Under-seat	■
			Trunk	☉
SKODA	OCTAVIA	2013 - present	Under-seat	N/A
			Trunk	☉
TATA	NEXON	2017 - present	Under-seat	☉
			Trunk	☉
	TIAGO	2016 - present	Under-seat	☉
			Trunk	☉
TOYOTA	4RUNNER	2009 - present	Under-seat	☉
			Trunk	☉
	CAMRY	2011 - 2017	Under-seat	N/A
			Trunk	☉
		2018 - present	Under-seat	N/A
			Trunk	☉
	COROLLA	2013 - present	Under-seat	N/A
			Trunk	☉
	ETIOS	2011 - present	Under-seat	☉
			Trunk	☉
	INNOVA CRYSTA	2015 - present	Under-seat	☉
			Trunk	☉
	HIGHLANDER	2013 - present	Under-seat	☉
			Trunk	☉
RAV4	2012 - present	Under-seat	N/A	
		Trunk	☉	
Volkswagen	GOL	2008 - present	Under-seat	N/A
			Trunk	☉
	GOLF VII	2013 - present	Under-seat	■
			Trunk	☉
	JETTA	1999 - 2015	Under-seat	N/A
			Trunk	☉
	POLO	2009 - 2017	Under-seat	☉
			Trunk	☉
	TIGUAN	2016 - present	Under-seat	■
			Trunk	☉
	VENTO	2014 - present	Under-seat	☉
			Trunk	☉

Subwoofer installation procedure

1. Under-seat installation



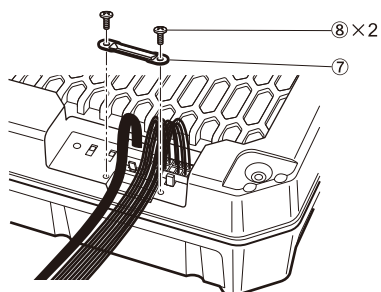
2. Trunk installation



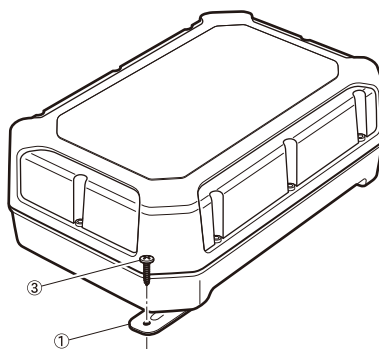
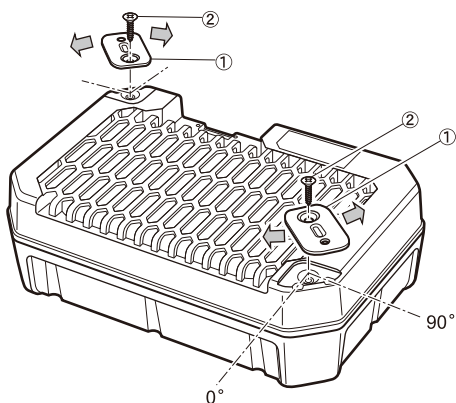
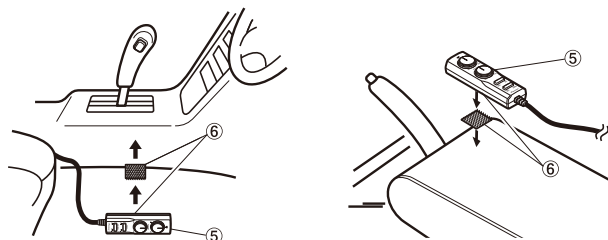
※When install TS-WX400DA under seat, seat-height adjustment might be required.
 ※Please refer for owner's manual about detailed connection.

• Attaching cord clampers

Please ensure you leave enough cable spare at the connector side for flexible and safe installation, to avoid damage to the remote control cable.



• How to attach the remote control



< Parts included >

- ① ————— × 2
- ② ———— $\phi 5 \text{ mm} \times 14 \text{ mm}$ ————— × 2
- ③ ———— $\phi 5 \text{ mm} \times 18 \text{ mm}$ ————— × 2
- ④ ———— 5 m ————— × 1

- ⑤ ———— 5 m ————— × 1
- ⑥ ————— × 1
- ⑦ ————— × 1
- ⑧ ———— $\phi 3 \text{ mm} \times 8 \text{ mm}$ ————— × 2