

MANUAL

SIBERIA PROFESSIONAL WIRING KIT

BLACK (85) = - TO CHASSIS GROUND/-12V DC
RED (30) = +12V DC (40A FUSE)
BROWN (86) = HIGH BEAM SIGNAL
BLUE (87a) = SECOND OUTPUT*
RED/BLACK (85 & 87) = 3x DT-2 OUTPUTS

3x CONVERTER DT-4 TO DT-2

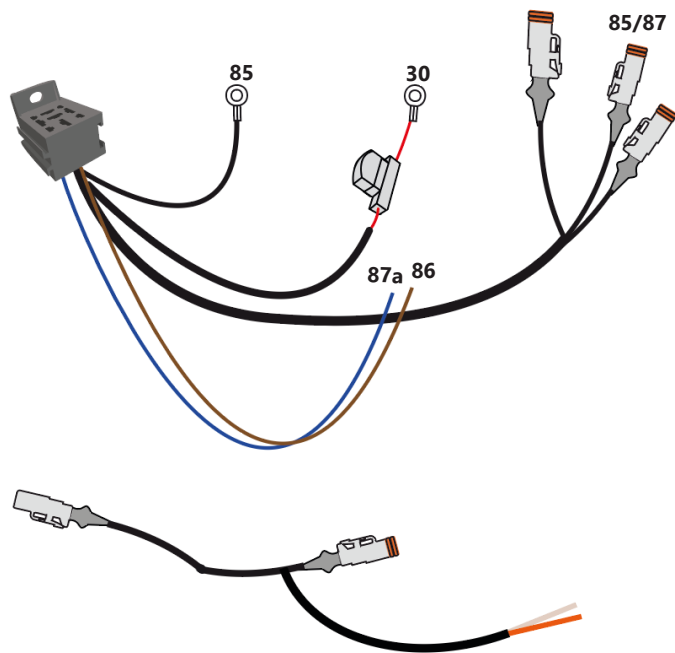
If your lamps has duo color position light and DT-4 connectors, use these converters.

AMBER = POSITION LIGHT COLOR 1

WHITE = POSITION LIGHT COLOR 2



Scan the QR-code to get more installation tips.



READ THIS BEFORE INSTALLATION

READ ALL INSTRUCTIONS AND STUDY DIAGRAMS BEFORE INSTALLING YOUR NEW WIRING KIT.

INSTALLATION

Only for 12V DC.
40A fuse. 60A relay.
Max 3x 145W with DT.
Max 420W if the DT's is cutted.

The kit includes: Wiring kit, 2x blue duraseal, cable clamp, 3x DT-converter DT-4 to DT-2.

We recommend that you cut cable 85/87 (minimum 50cm from relay) with the DT connector and shorten it to the desired length to get a nicer installation without a lot of excess cable lying around.

When you have cut the desired length from the cable, you use the included duraseal to splice the cables, and the included cable clamp is used to splice the protective hose.

Tip: Be sure to do all the wiring while the cable is cut.

Blue cable (87a) second output can be used with a multifunctional relay.

WARNING!

Make sure that the cable does not touch parts that could become hot, and cause the cable to melt. Do not use higher volts than the product description states.